



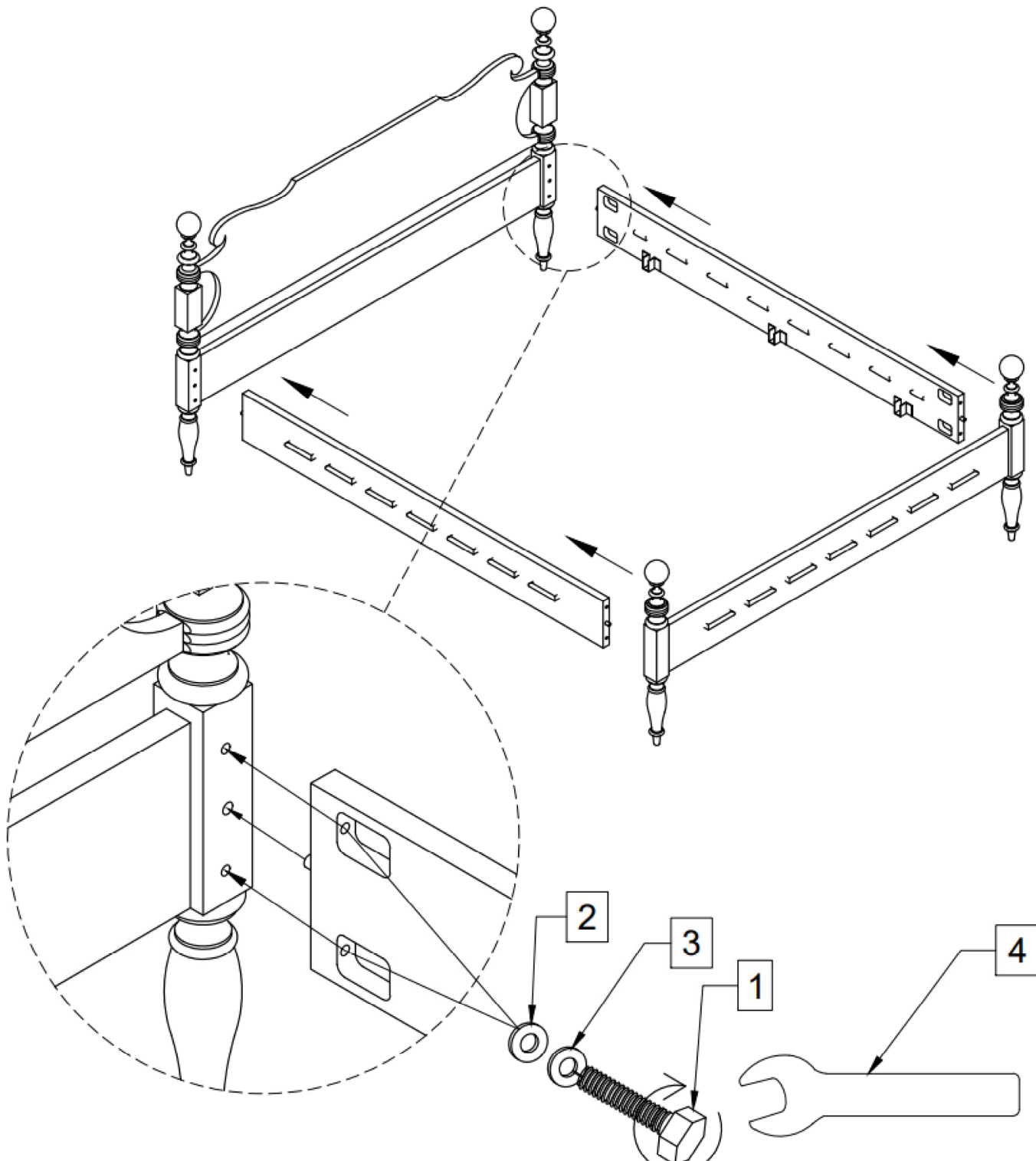


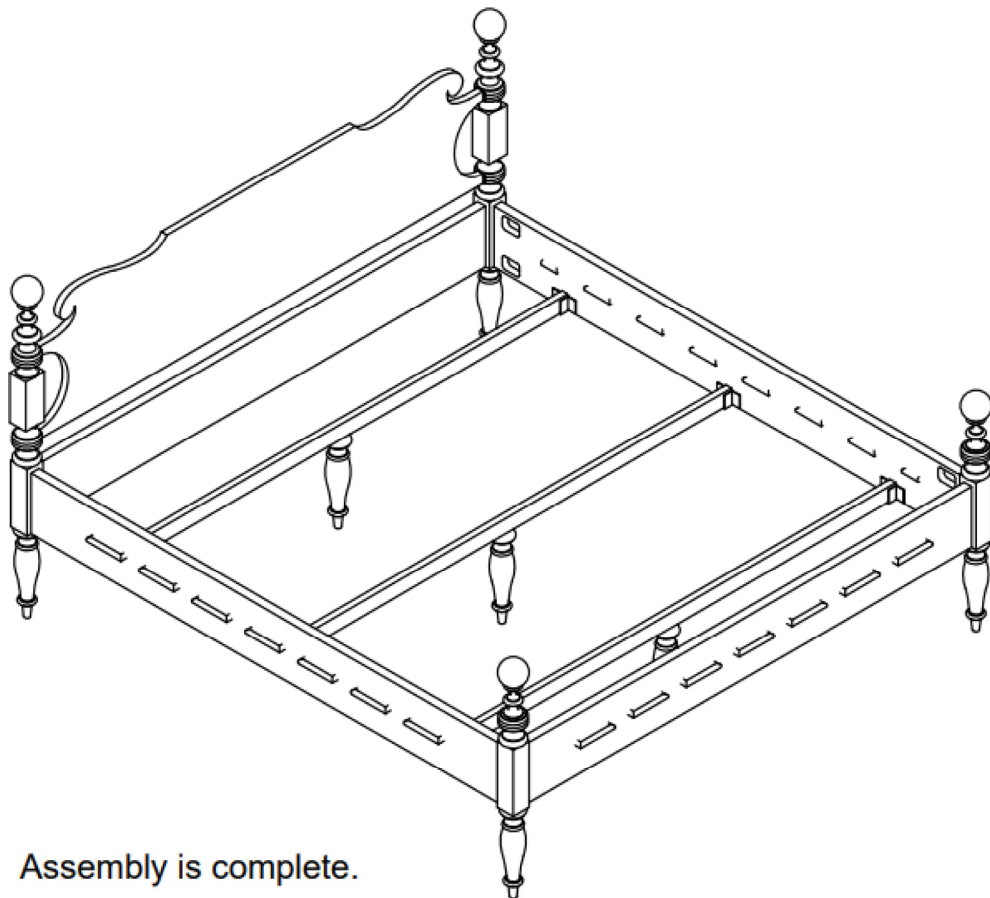
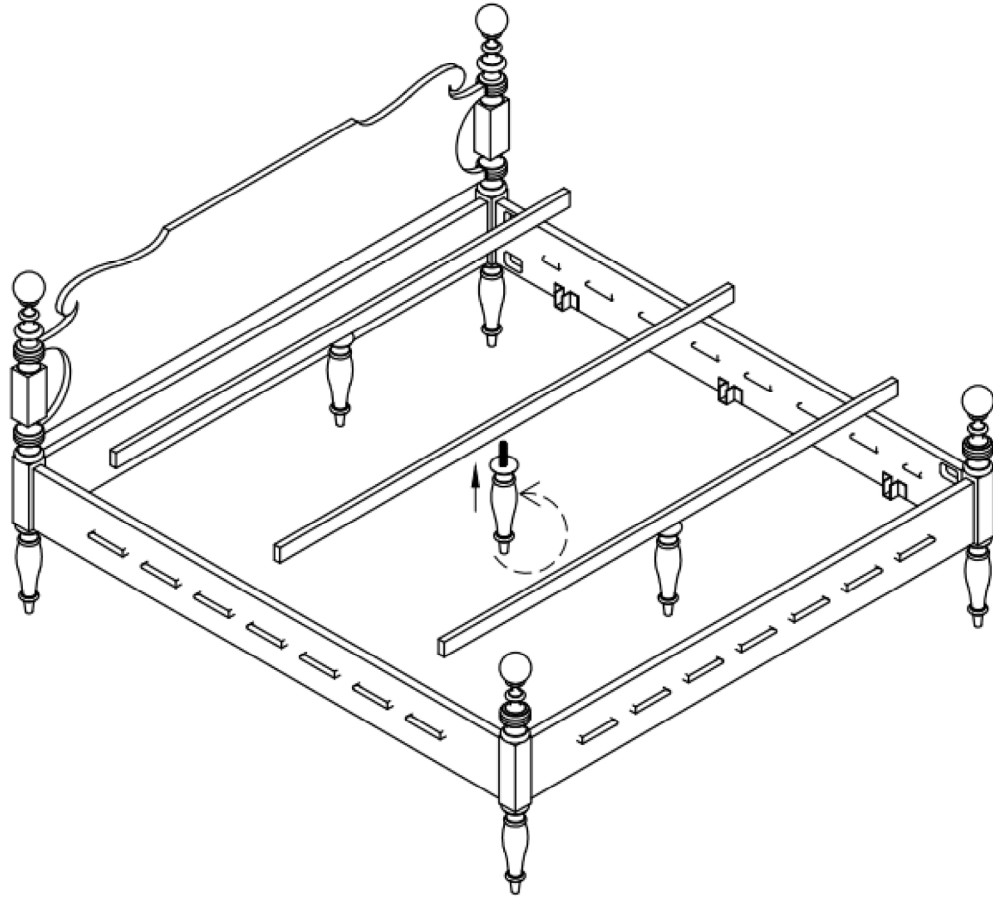
LL800- Limewash Finish King Bed

NO.	ITEM	DESCRIPTION	QTY.
1		Bolt M10x70	8 pcs
2		Flat washer Ø10	8 pcs
3		Spring washer Ø10	8 pcs
4		Wrench	1 pc

Step 1. Install Side rail to Headboard and Footboard by using Bolt (1), flat washer (2), spring washers (3) and Wrench (4).
Fully tightened all bolts



LL800- Limewash Finish King Bed



Assembly is complete.