




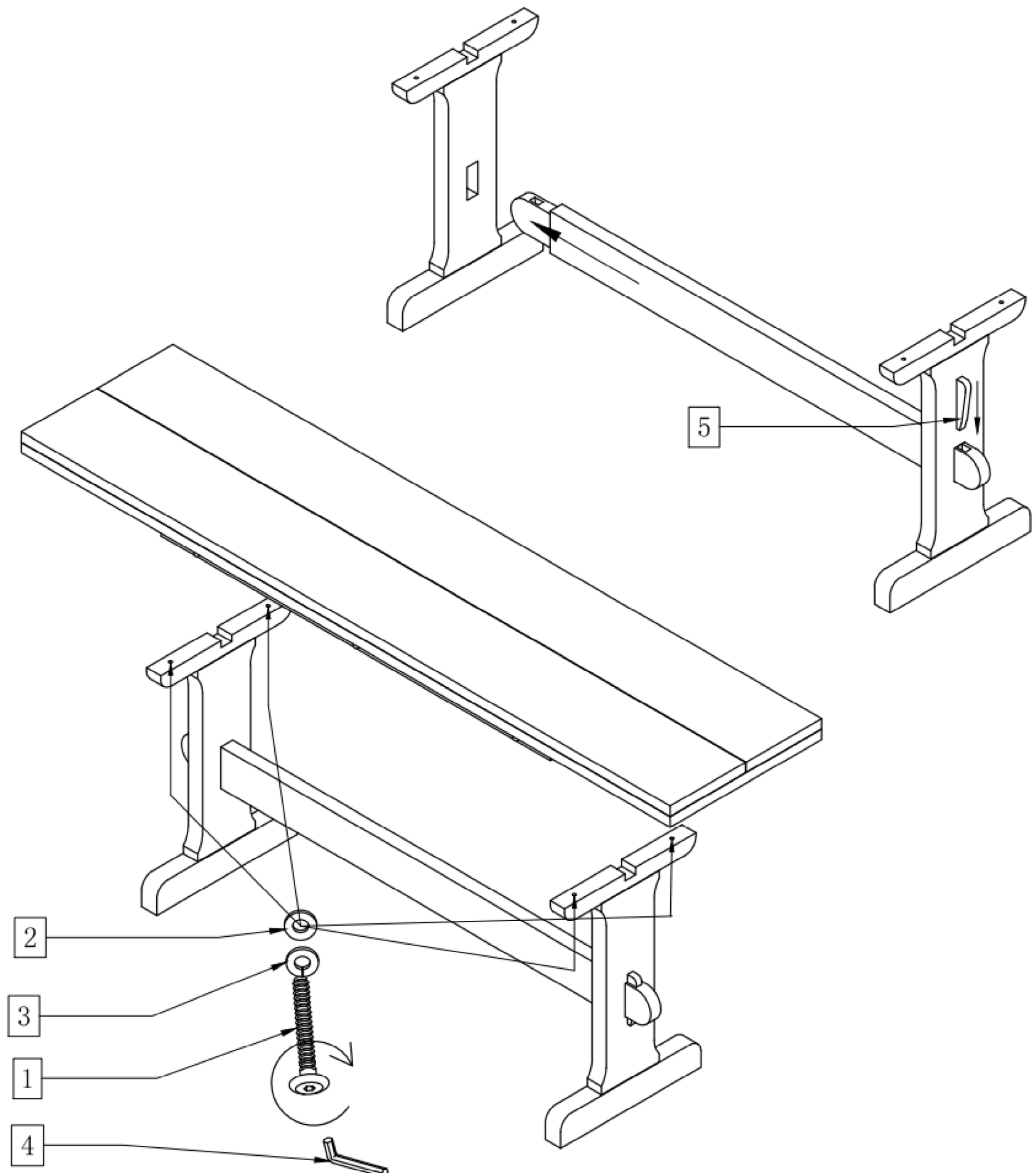


ASSEMBLY INSTRUCTIONS

LL303 Metamorphosis Flip top Table

NO.	ITEM	DESCRIPTION	QTY.
1		M8x55	8 pcs
2		Ø8	8 pcs
3		Ø8	8 pcs
4		M6	1 pc
5		Wooden lock	2 pcs

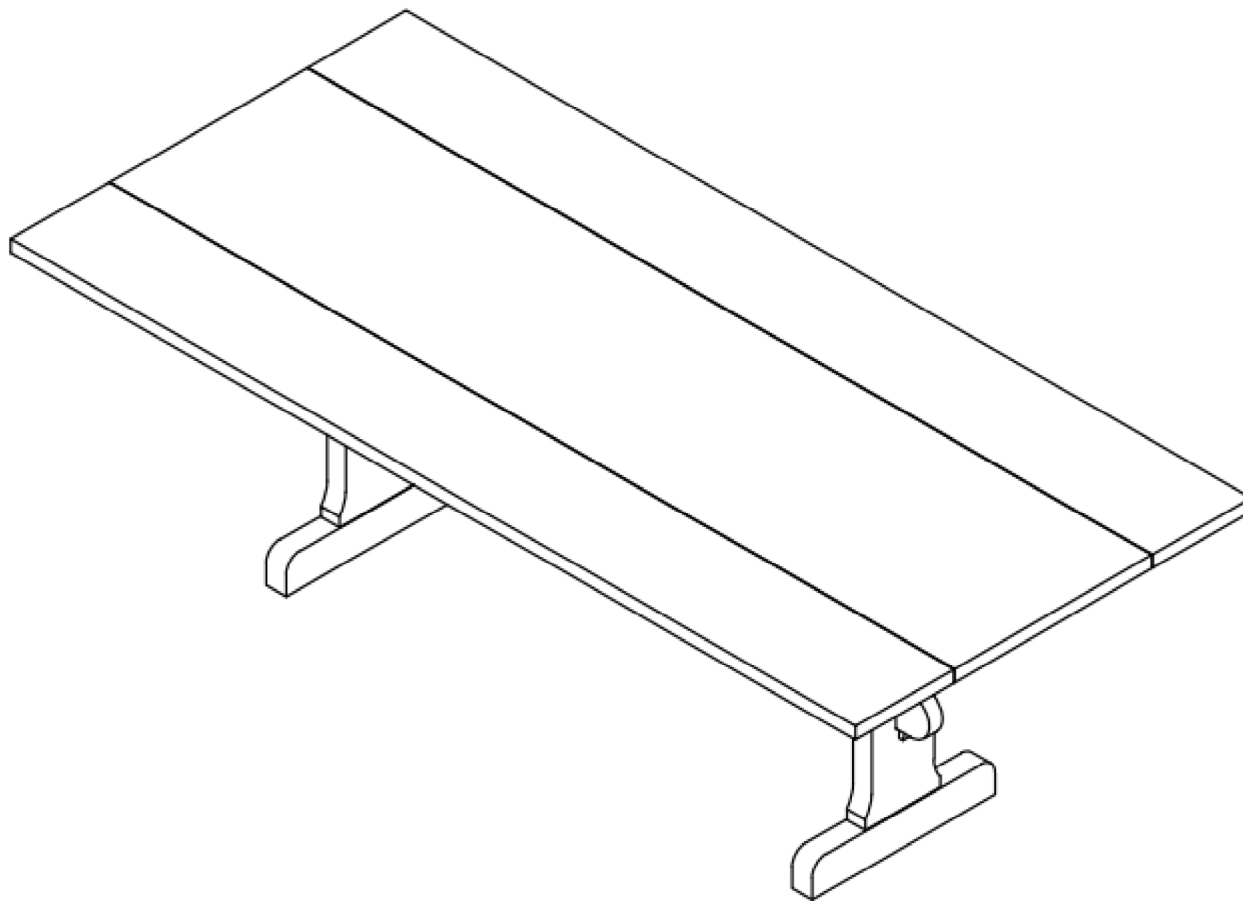
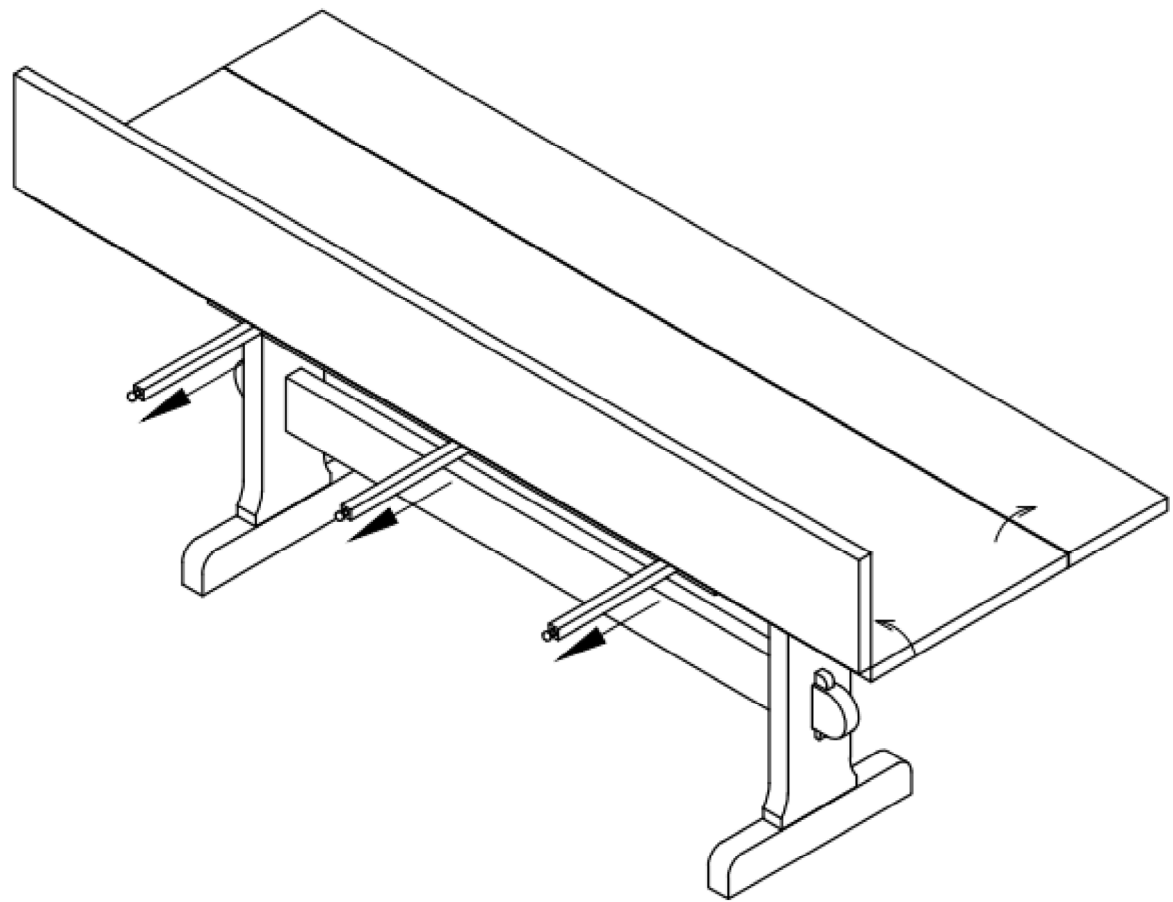
Step 1. Install the stretch into to legs and insert the wooden lock.
Step 2. install the top into the legs by using bolts, washers and allen key.



ASSEMBLY INSTRUCTIONS

LL303 Metamorphosis Flip top Table

Step 3. extended the support top and open the table top



Step 4. Assembly is complete.