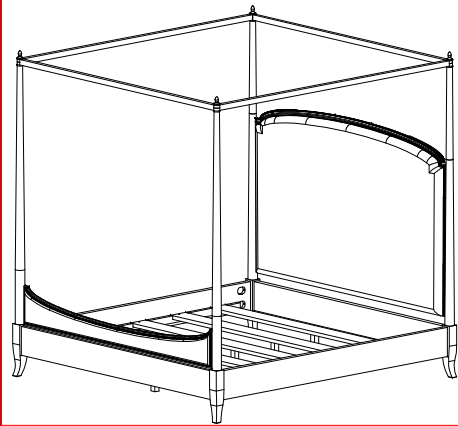
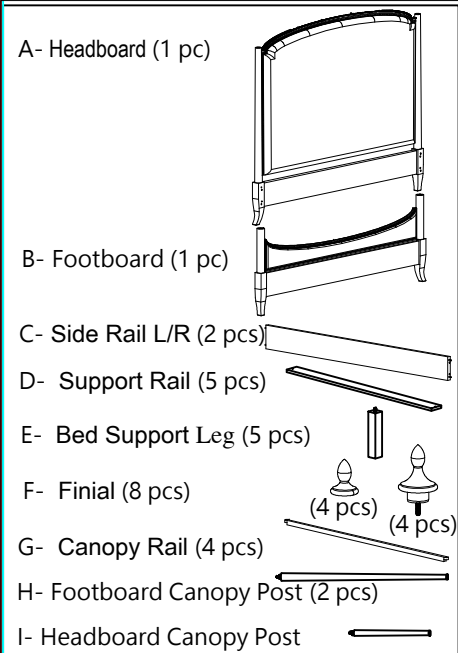


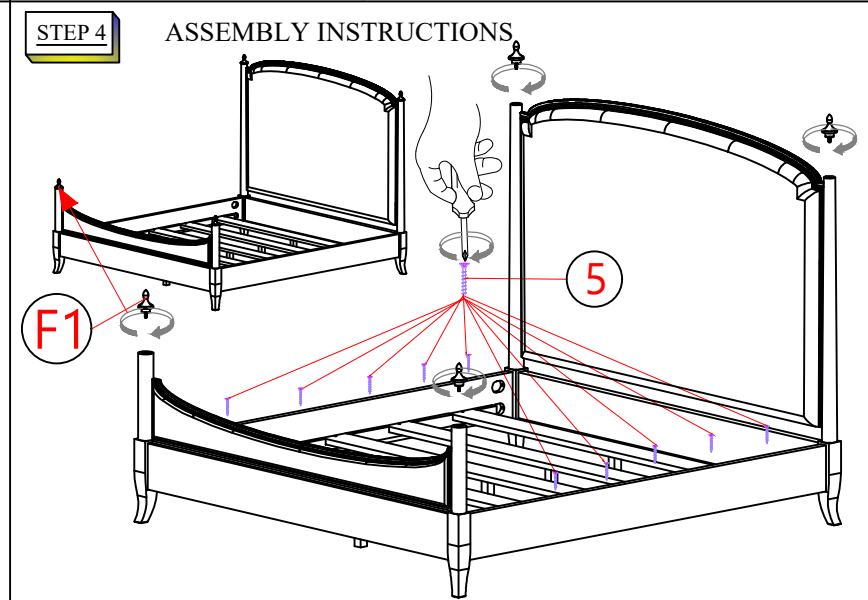
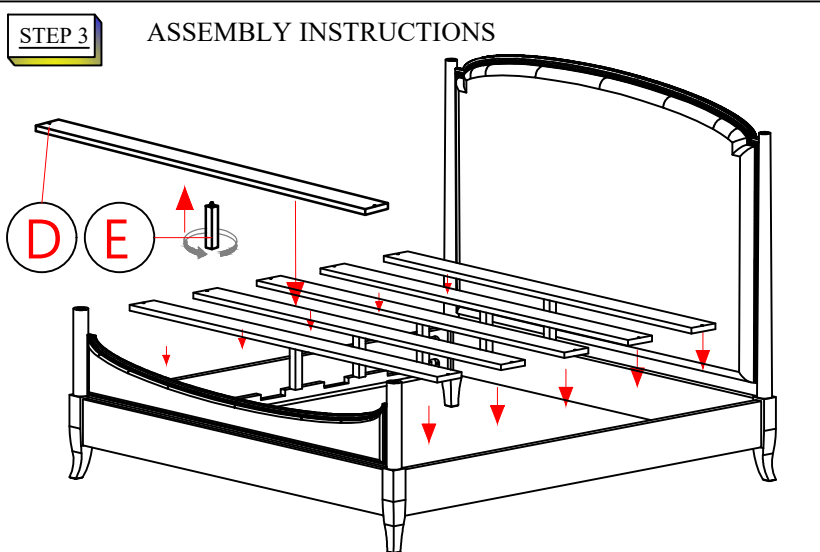
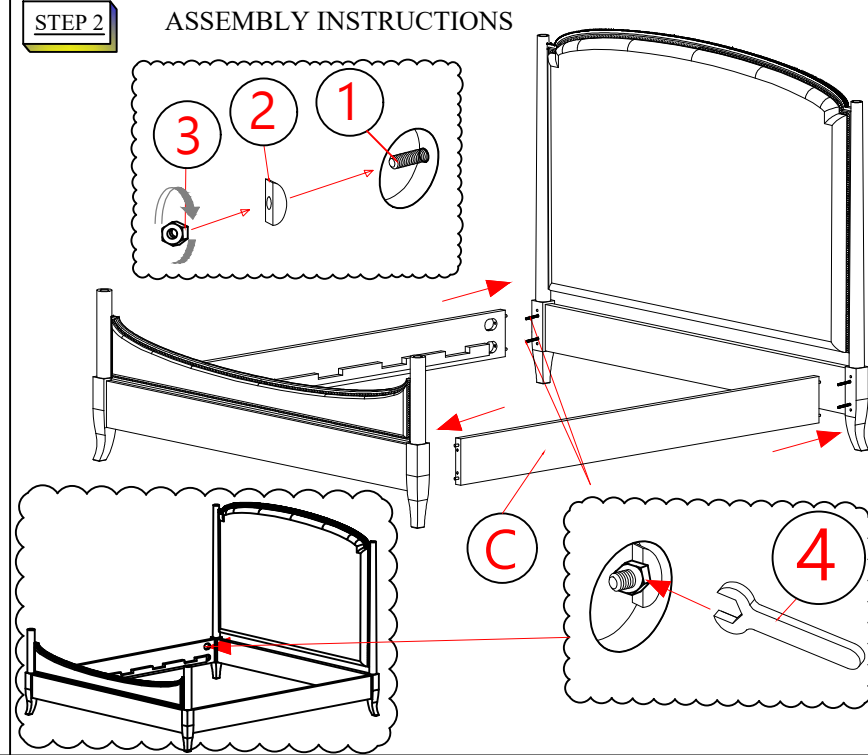
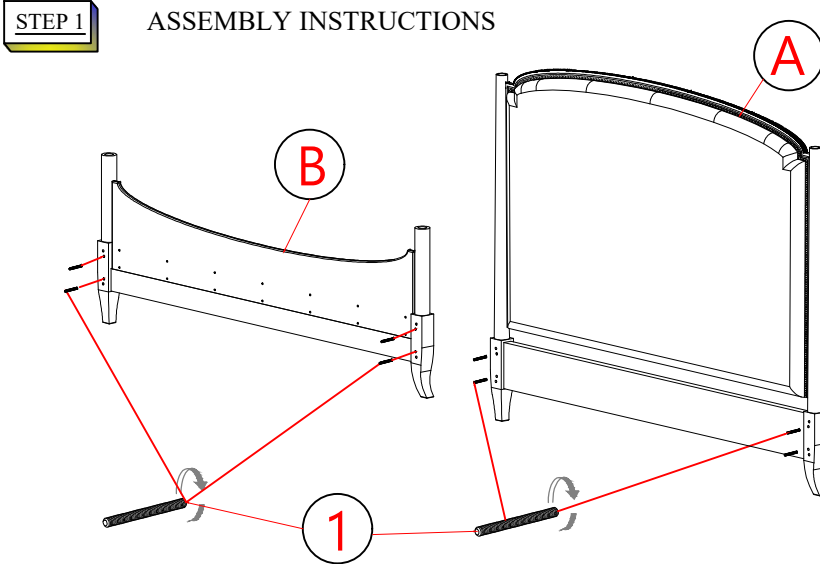
ASSEMBLY INSTRUCTIONS



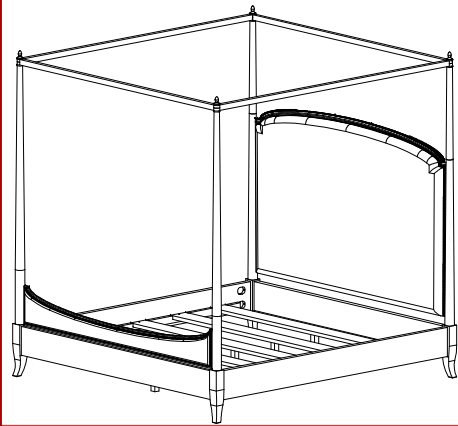
TF800-13 Queen/King



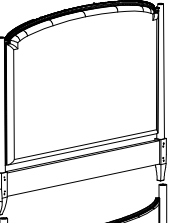



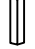


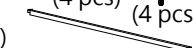
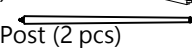
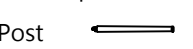
ITEM	LIST OF HARDWARE	Q.ty
①	Bolt (7,8 x 90 mm)	8 PCS
②	Half Moon Washer (27.5x14.5x7.5mm)	8 PCS
③	Nut (5/16"-18 thread, 11.7x5.5mm)	8 PCS
④	Allen Wrench M12	1PC
⑤	Screw 35mm	10 PCS
⑥	Bolt (6 x 80 mm)	4 PCS


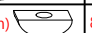

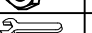
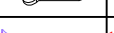



ASSEMBLY INSTRUCTIONS

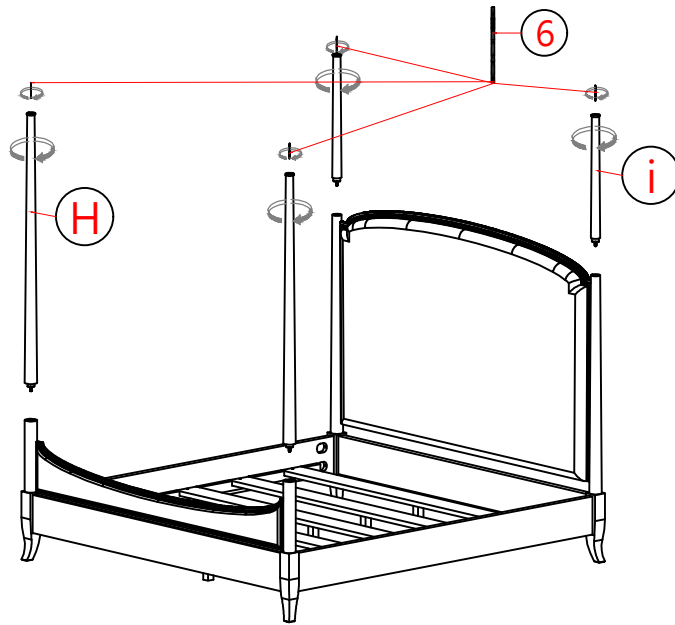


TF800-13 Queen/King

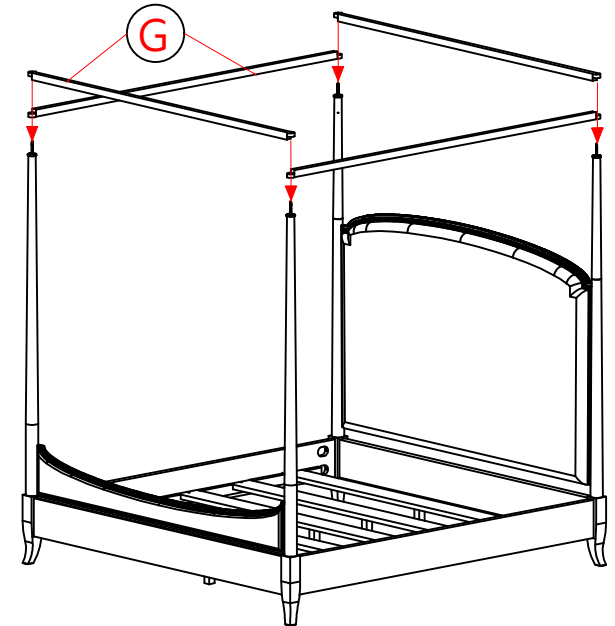
- A- Headboard (1 pc) 
- B- Footboard (1 pc) 
- C- Side Rail L/R (2 pcs) 
- D- Support Rail (5 pcs) 
- E- Bed Support Leg (5 pcs) 
- F- Finial (8 pcs)  (4 pcs)  (4 pcs)
- G- Canopy Rail (4 pcs) 
- H- Footboard Canopy Post (2 pcs) 
- I- Headboard Canopy Post 

ITEM	LIST OF HARDWARE	Q.ty
①	Bolt (7,8 x 90 mm) 	8 PCS
②	Half Moon Washer (27.5x14.5x7.5mm) 	8 PCS
③	Nut (5/16"-18 thread, 11.7x5.5mm) 	8 PCS
④	Allen Wrench M12 	1PC
⑤	Screw 35mm 	10 PCS
⑥	Bolt (6 x 80 mm) 	4 PCS

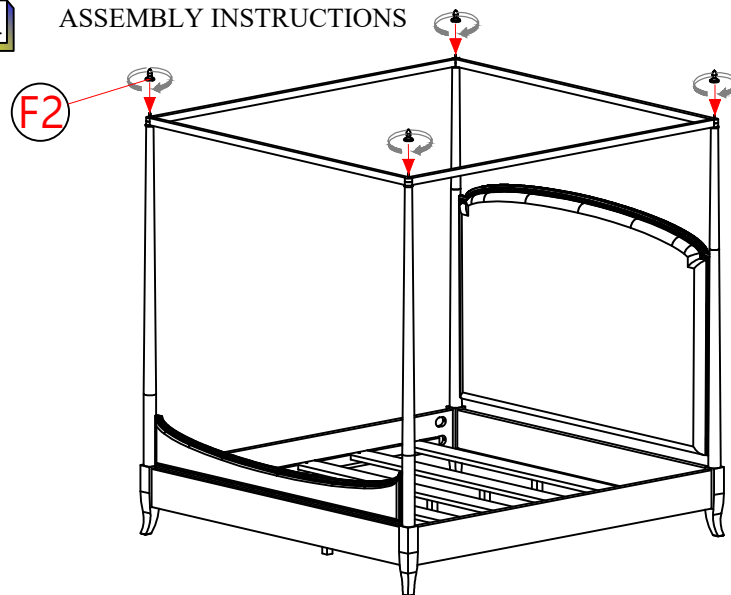
STEP 5 ASSEMBLY INSTRUCTIONS



STEP 6 ASSEMBLY INSTRUCTIONS



STEP 7 ASSEMBLY INSTRUCTIONS



STEP 8 ASSEMBLY INSTRUCTIONS

