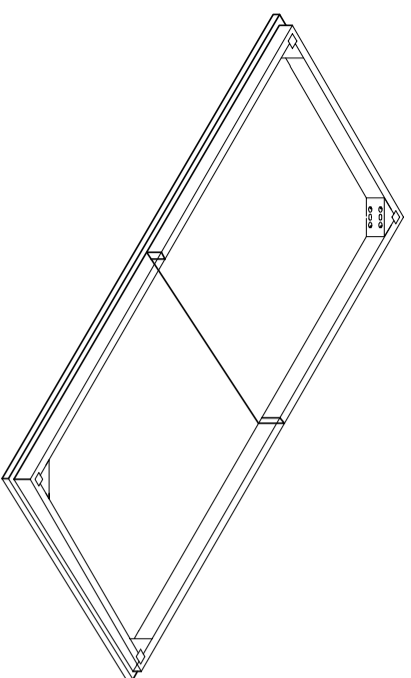


# ASSEMBLY INSTRUCTIONS






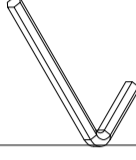
I

1 pcs



II

4 pcs

ITEM	LIST OF HARDWARE	QTY
1	WASHER 	8
2	WAVE WASHER 	8
3	HEX BOLT 	8
4	HEX KEY 	1

