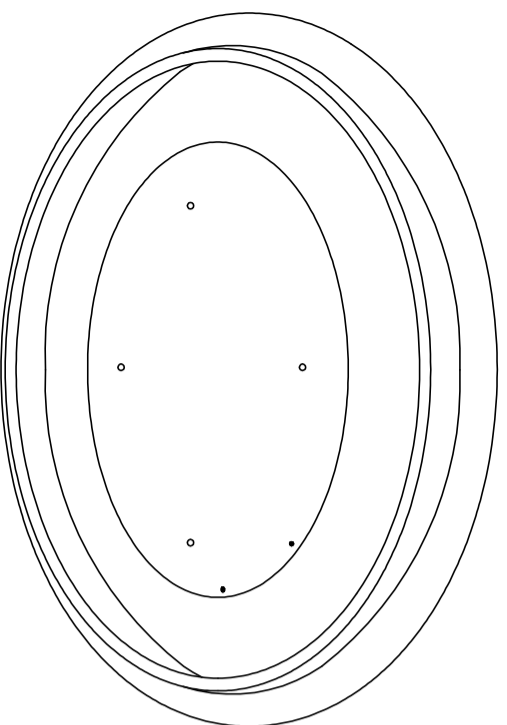
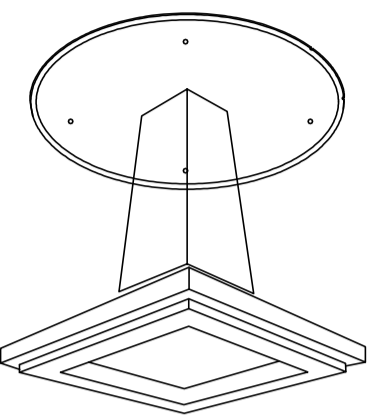


ASSEMBLY INSTRUCTIONS



I

1 pcs



II

1 pcs

ITEM	LIST OF HARDWARE	QTY
1	WASHER	4
2	WAVE WASHER	4
3	HEX BOLT	4
4	HEX KEY	1

