

WOODBIDGE

ASSEMBLY INSTRUCTIONS FOR

LL801-80K

King Bed

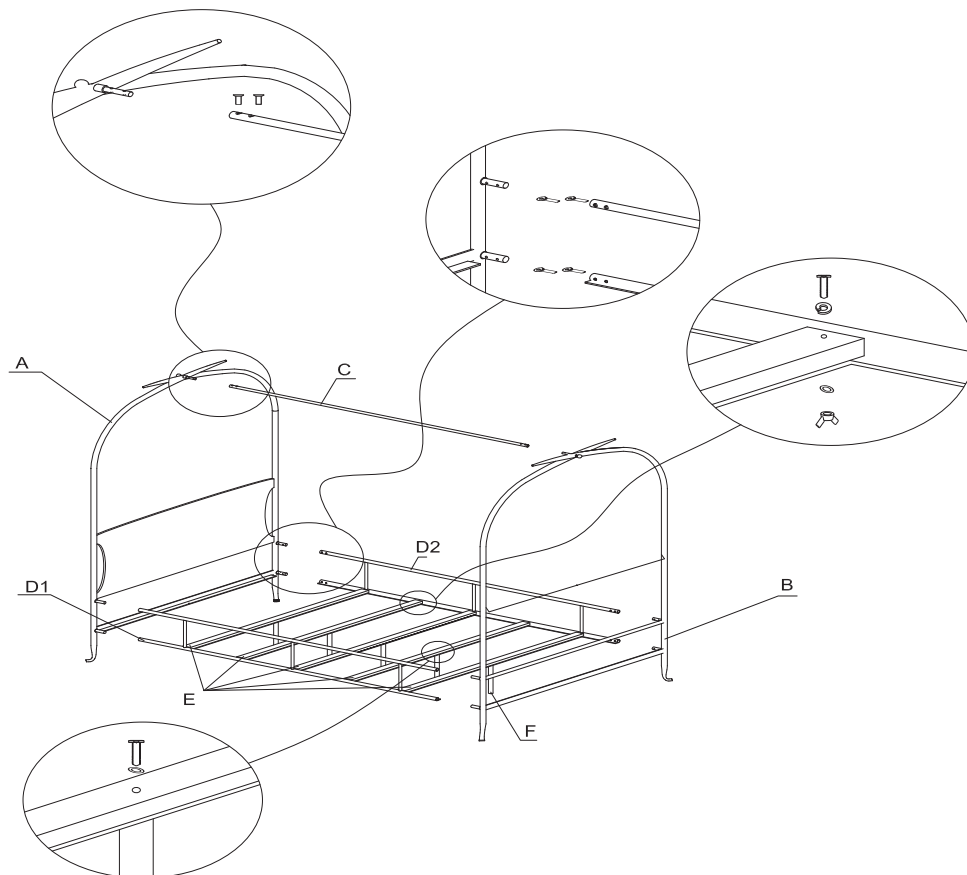
Thank you for purchasing Woodbridge Furniture. Be sure to check all packing materials carefully to ensure proper assembly.

Please read all instructions carefully before starting the assembly process. Some parts are large and heavy and require at least two people to assemble, to prevent possible injury and/or damage to the furniture.

1. METAL FRAME OF THE BED

Components

NO.	DESCRIPTION	QTY	NOTE
A	HeadBoard Frame	1	
B	Footboard Frame	1	
C	Canopy Rail	1	
D	Side Rails	2	
E	Rail	5	
F	Middle Leg	5	

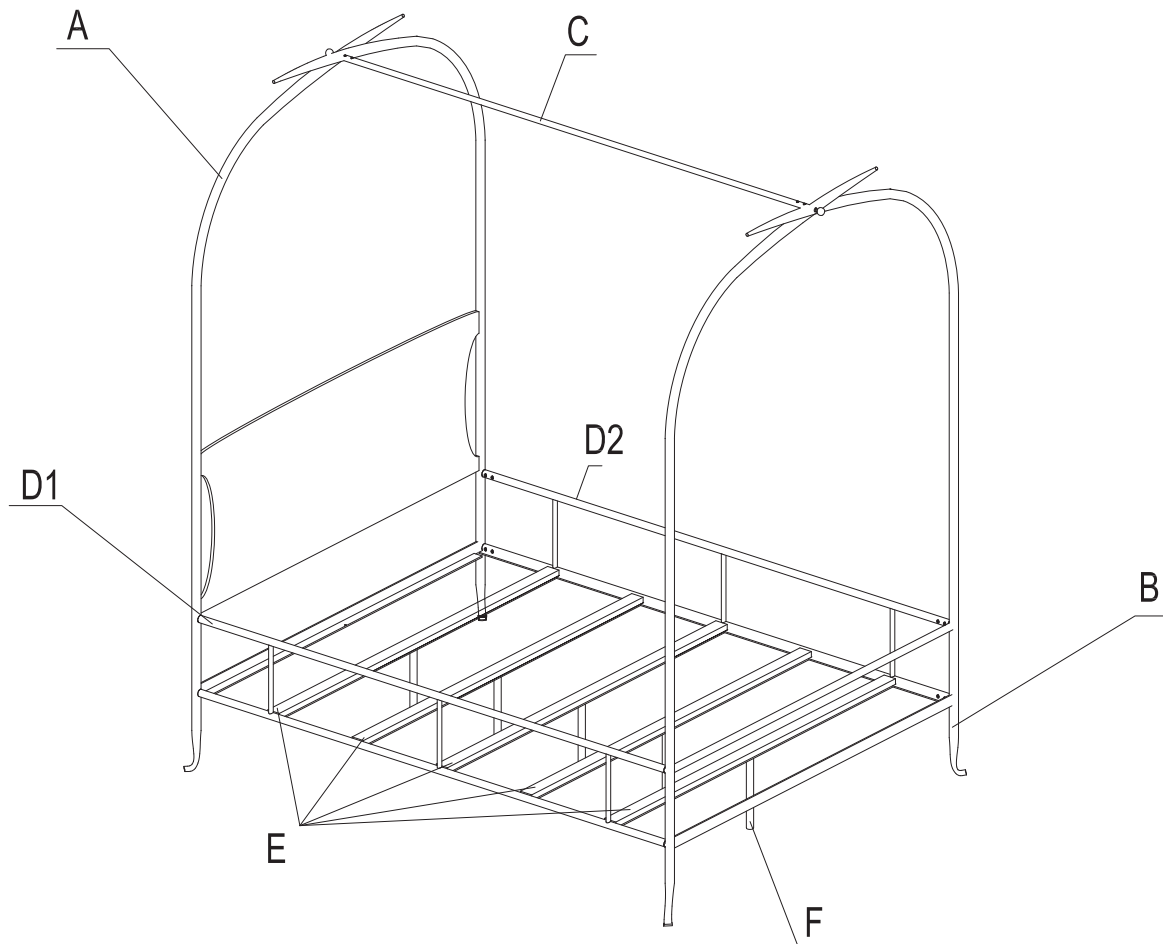


PARTS LIST

NO.	DESCRIPTION	SIZE	QTY
1	Hex Wrench	4mm	1
2	Wrench	K10	1
3	Flat Head Bolts	M6x10mm	20
4	Cylinder Head Bolts	M6x40mm	15
5	Nuts	M6	10
6	Flat Washers	M6	15
7	Wave Washers	D8	10

ASSEMBLY INSTRUCTIONS

1. Assemble the Headboard Frame (A) to the Canopy Rail (C) and the Side Rails (D1 & D2) with 10 Flat Head Bolts (4) using the Hex Wrench (1) as shown.
2. Assemble the Footboard Frame (B) to the Canopy Rail (C) and the Side Rails (D1 & D2) with 10 Flat Head Bolts (4) using the Hex Wrench (1) as shown.
3. Assemble the Middle Leg (F) to the Rail (E) with 5 Cylinder Head Bolts (4) and 5 Flat Washers using the Hex Wrench (1) as shown.
4. Assemble the Rail (E) to the Side Rails (D1 & D2) with 10 Cylinder Head Bolts (4), 10 Flat Washers (6), 10 Wave Washers (7) and 10 Nuts (5) using the Wrench K10 (2) as shown.



CLEANING INSTRUCTIONS

Clean surfaces with a soft damp cloth. Dry immediately