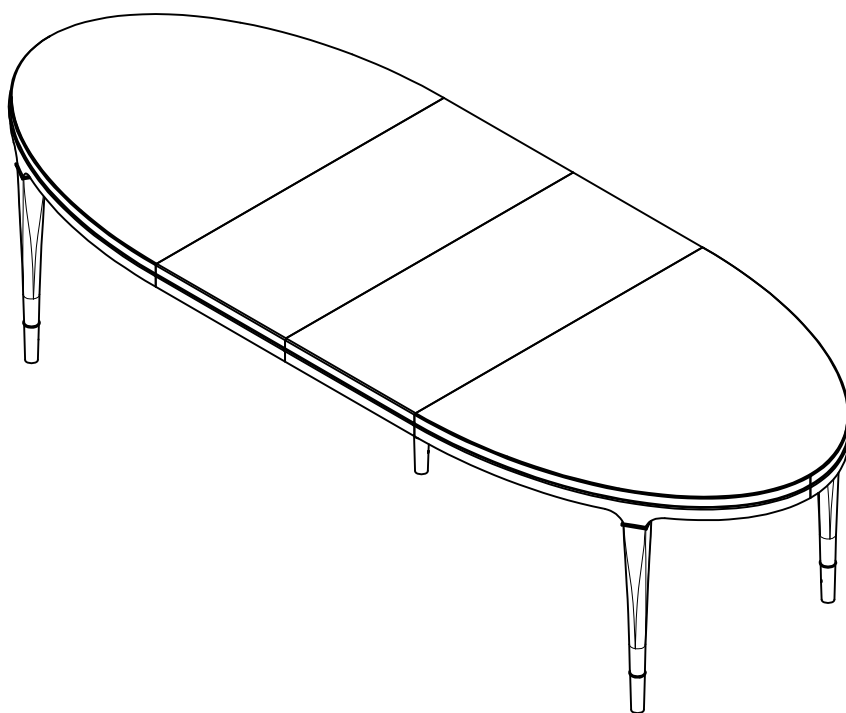
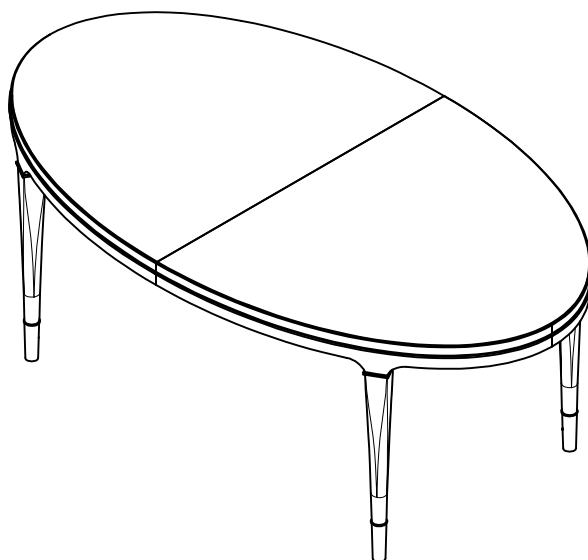

LYNN DINING TABLE

Assembly Instructions
Instructions d'assemblage
Instrucciones de Ensamblaje

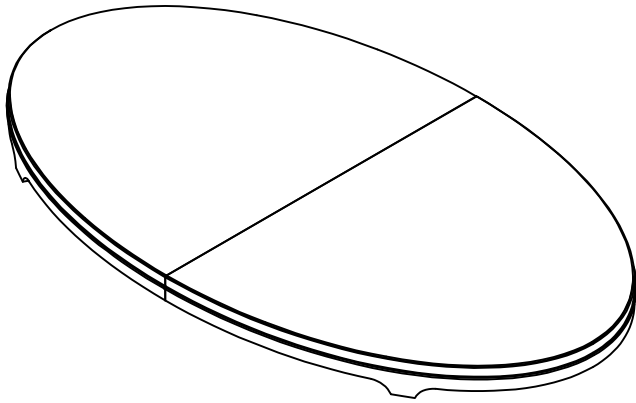
1/5



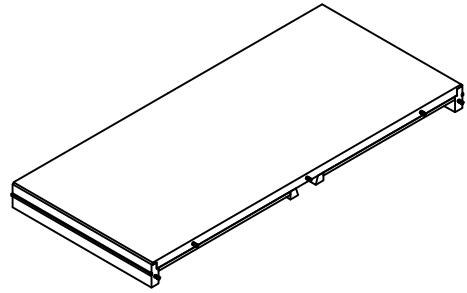
LYNN DINING TABLE

Assembly Instructions
Instructions d'assemblage
Instrucciones de Ensamblaje

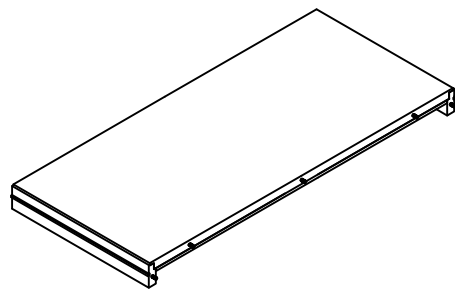
2/5



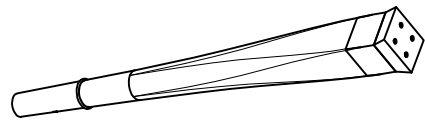
1. TOP x 1pc



2. LEFT LEAVE x 1pc



3. RIGHT LEAVE x 1pc



4. CENTER LEG x 1pc

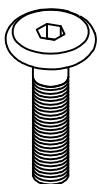


5. LEGS x 4pcs

Be sure to check all packaging materials carefully for small parts that may have become loose during shipment and place all parts on a non-abrasive surface.

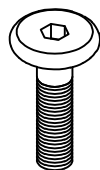
These table parts can be cumbersome and heavy to some people, therefore the assistance of two or more people is recommended in order to prevent personal injury and ensure the table parts are not damaged during the assembly process.

A



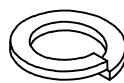
Allen Head Bolt
M8x60mm
x8 pcs

B



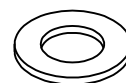
Allen Head Bolt
M8x50mm
x1 pcs

C



Lock Washer
x9 pcs

D



Flat Washer
x9 pcs

E

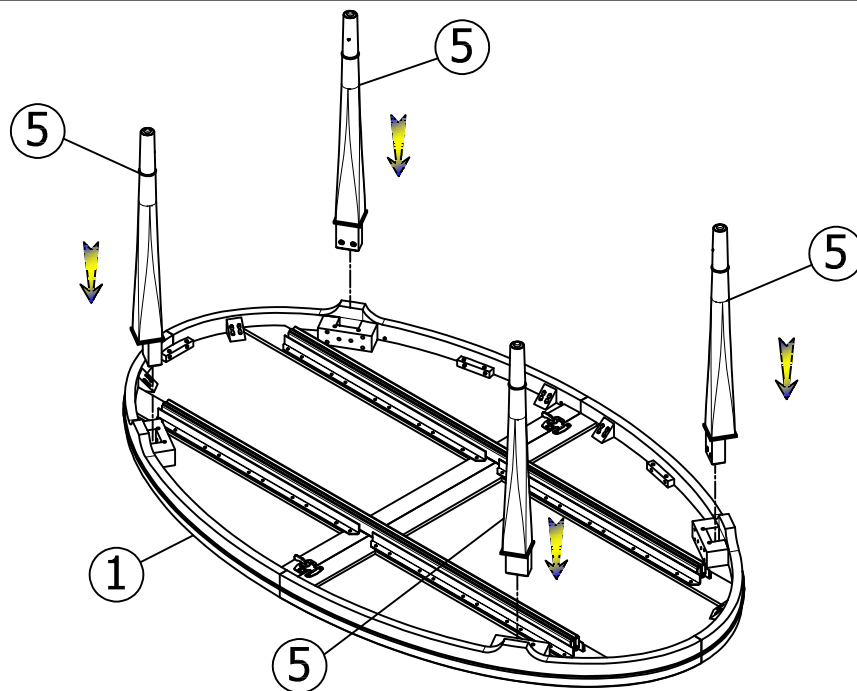


Allen Wrench
x1 pc

LYNN DINING TABLE

Assembly Instructions
Instructions d'assemblage
Instrucciones de Ensamblaje

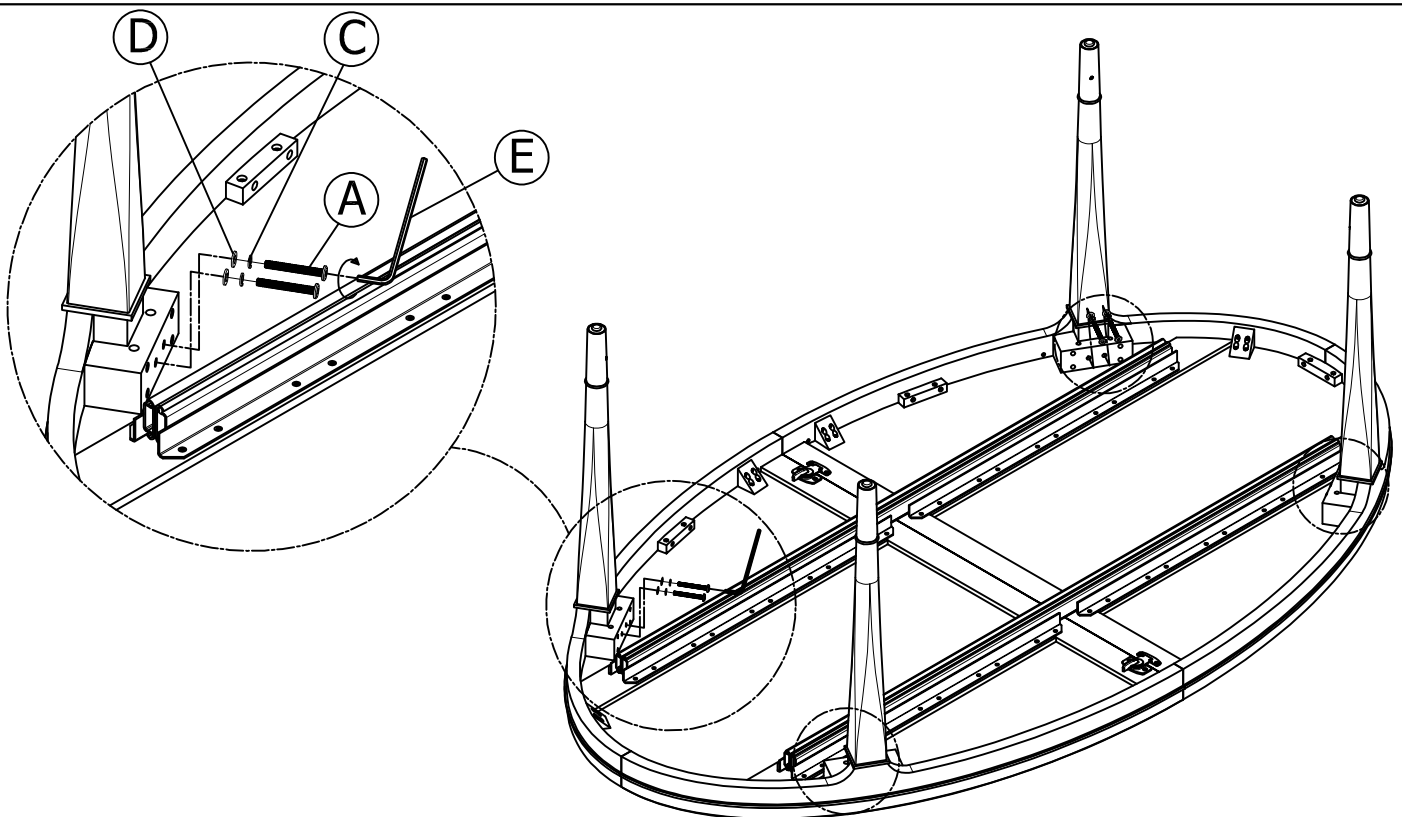
3/5



Step 1:

Turn the Top (1) face down on a smooth, clean surface.

Then unpack the Legs (5) and place them in the correct positions on the underside of the Top (1).



Step 2:

Assemble Top (1) and Legs (5).

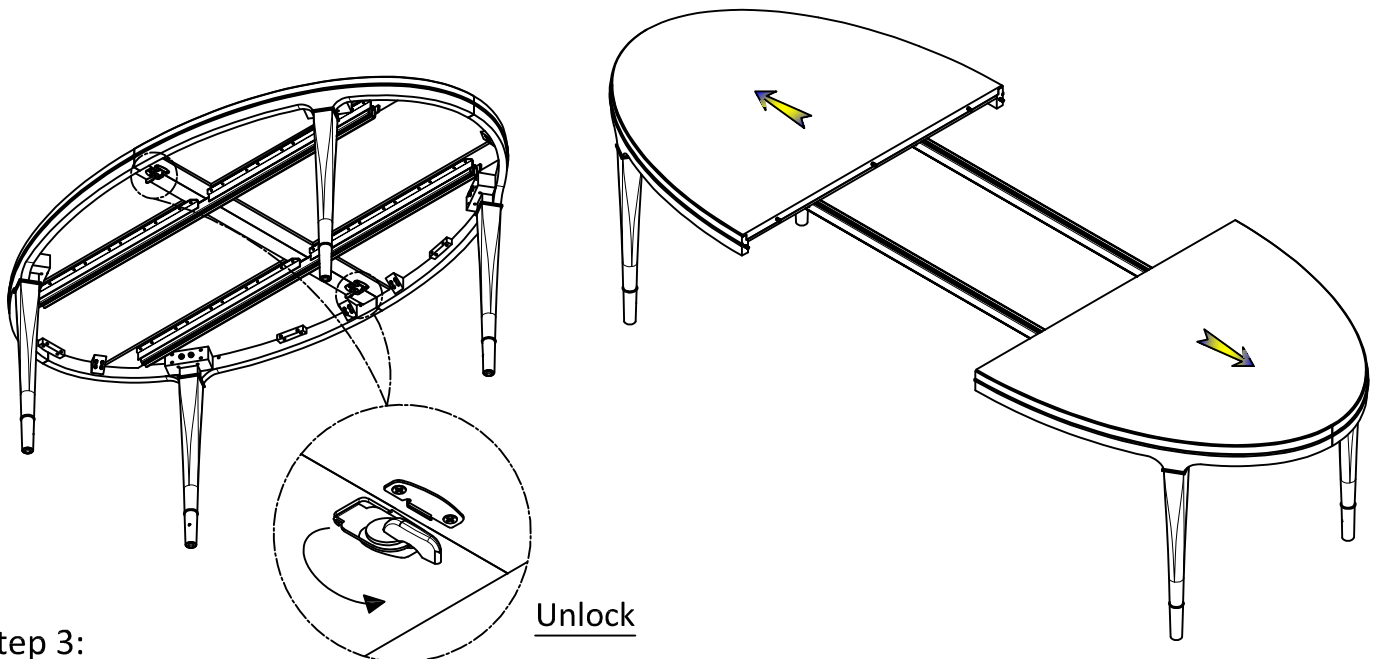
Tighten firmly all 8 Allen bolts A, 8 Lock washers C and 8 Flat washers D by Allen key E.

Note: Insert Lock washer first followed by Flat washer to Allen bolt.

LYNN DINING TABLE

Assembly Instructions
Instructions d'assemblage
Instrucciones de Ensamblaje

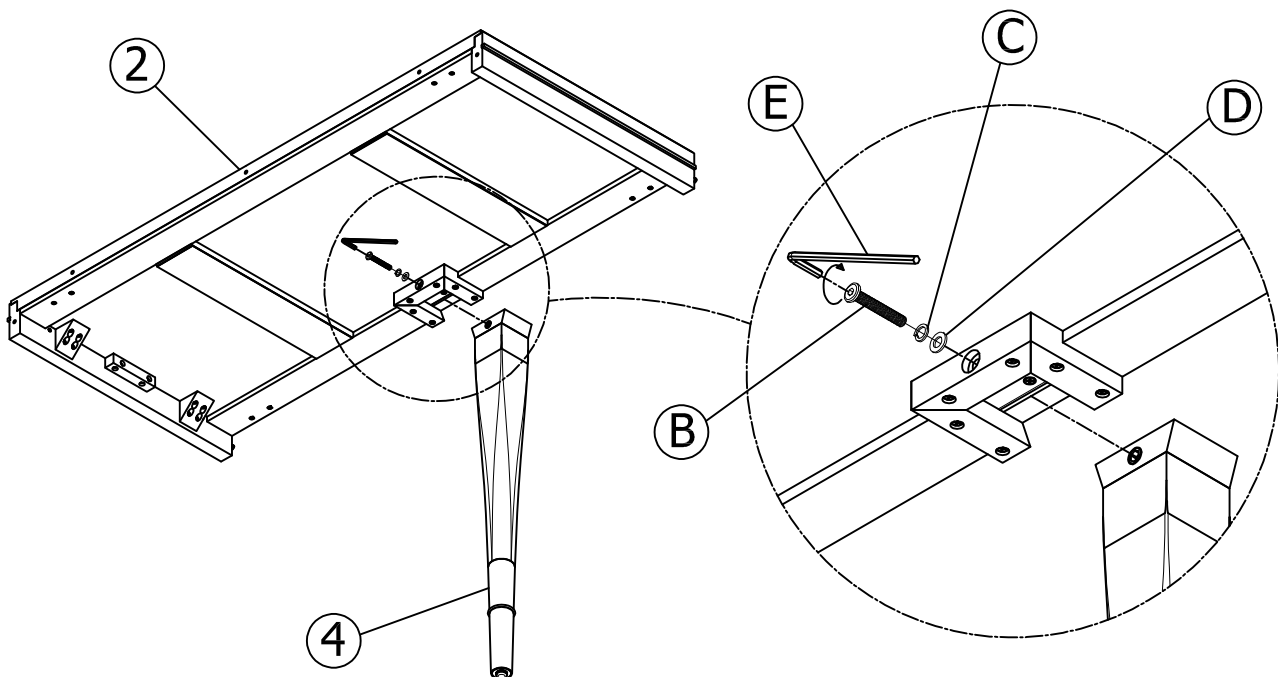
4/5



Step 3:

Using two people carefully turn the table to the upright position.

Make sure both locks are released, then pull the two tabletop halves outward as shown in the illustration.



Step 4:

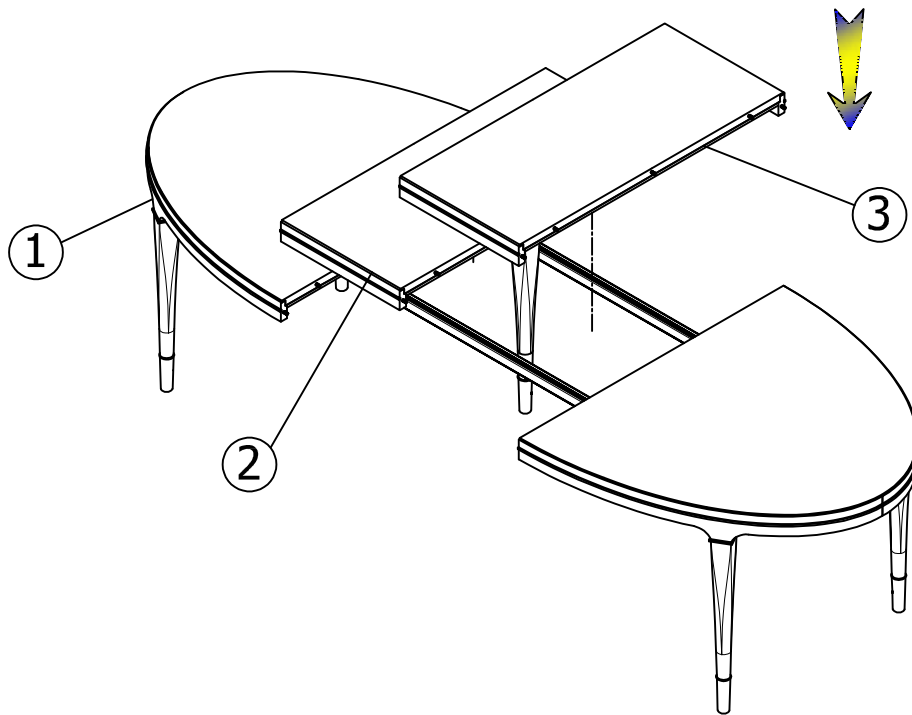
Connect the Center Leg (4) with the Left Leaf (2) using 1 Allen bolts B, 1 Lock washers C and 1 Flat washers D by Allen key E.

Note: Insert Lock washer first followed by Flat washer to Allen bolt.

LYNN DINING TABLE

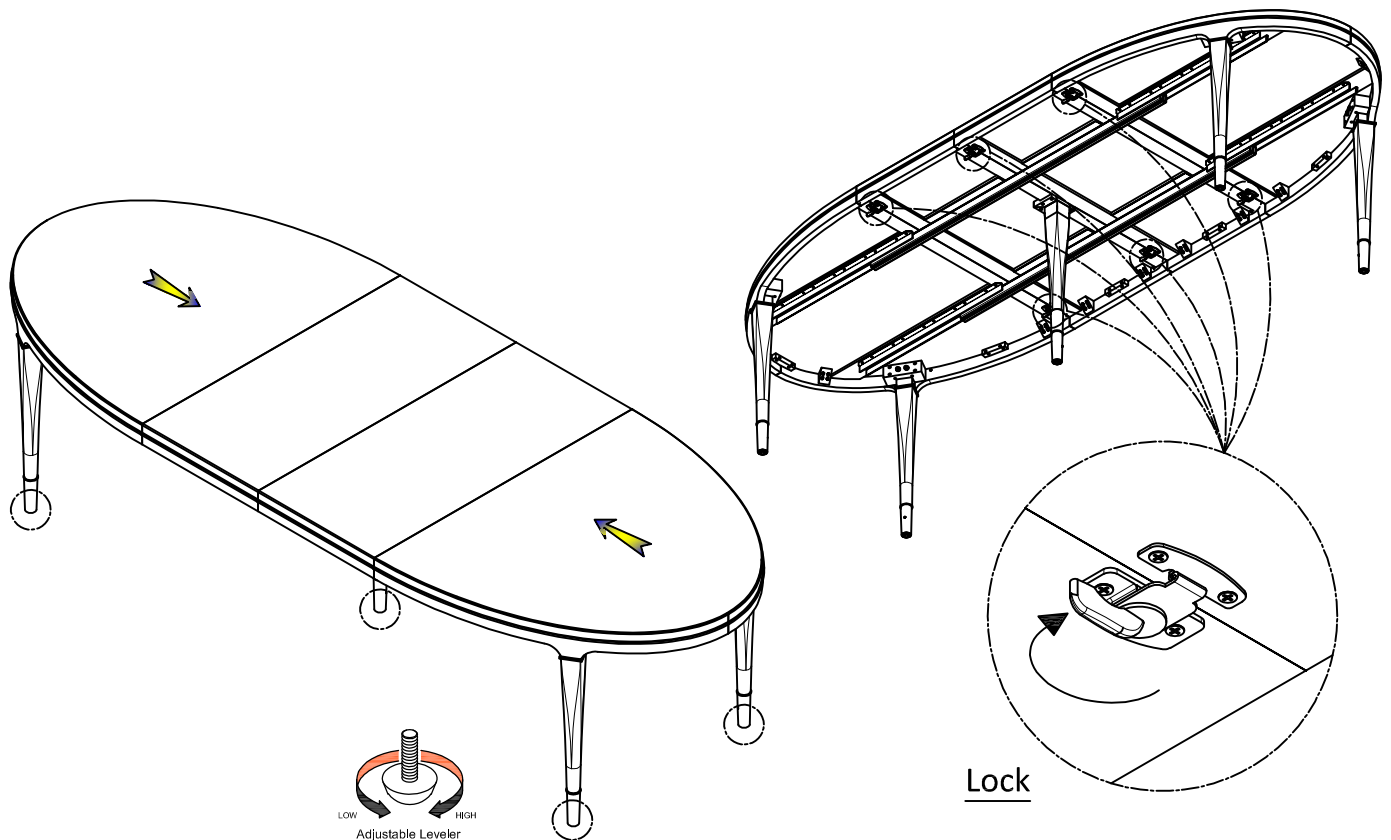
Assembly Instructions
Instructions d'assemblage
Instrucciones de Ensamblaje

5/5



Step 5:

Place the leaves onto the table, making sure to align the locating pins correctly.



Step 6:

With two people standing on each side, push the tabletop halves toward the center. Then, lock the underside latches as shown in the illustration.