




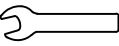
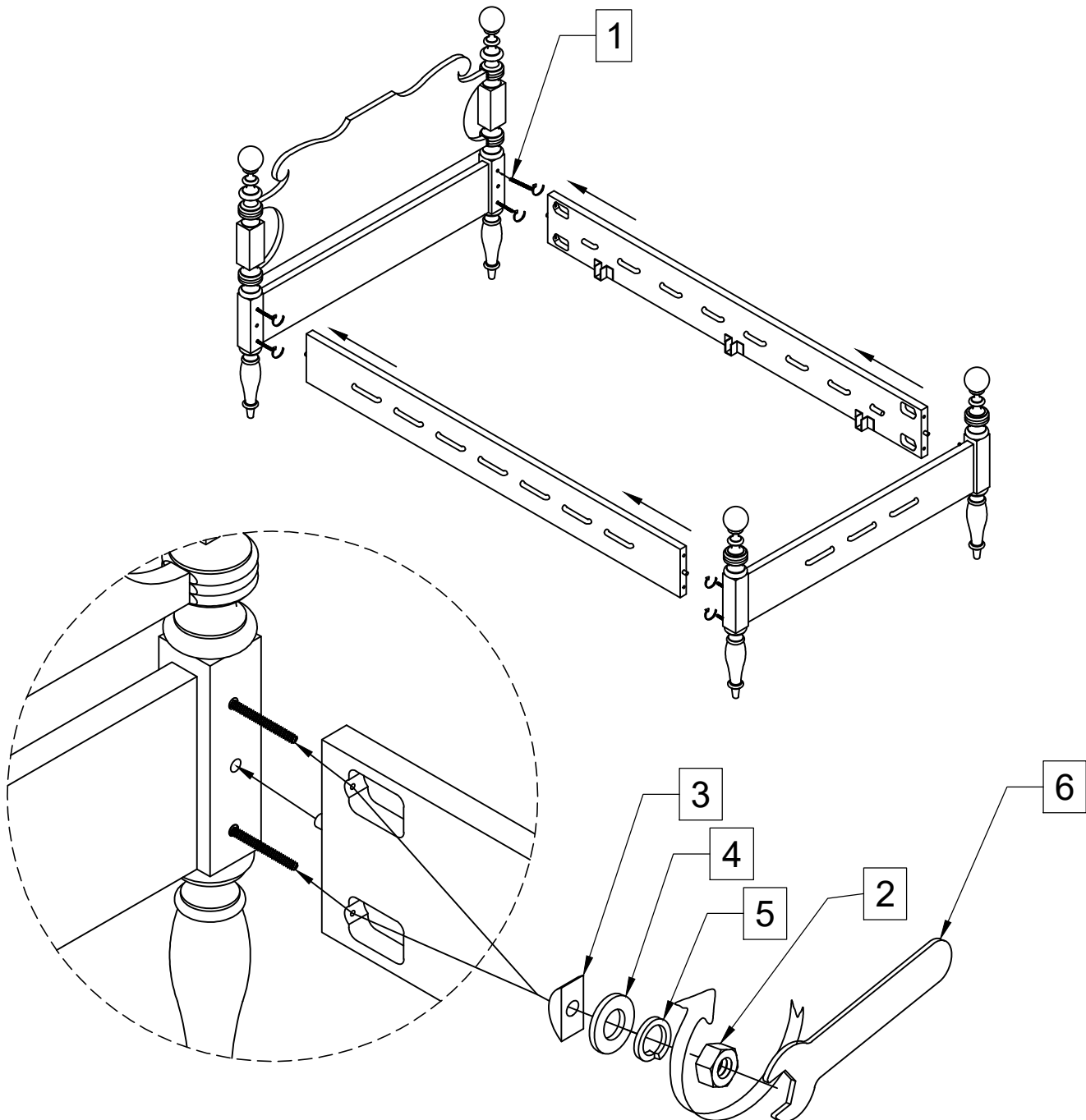


# ASSEMBLY INSTRUCTIONS

## LL800- Limewash Finish Twin Bed

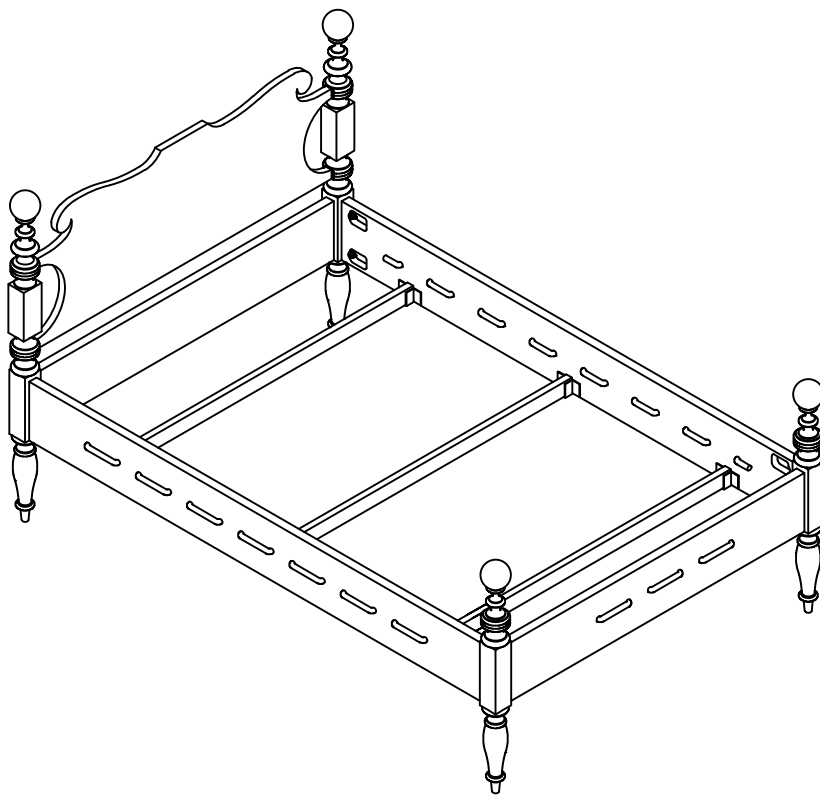
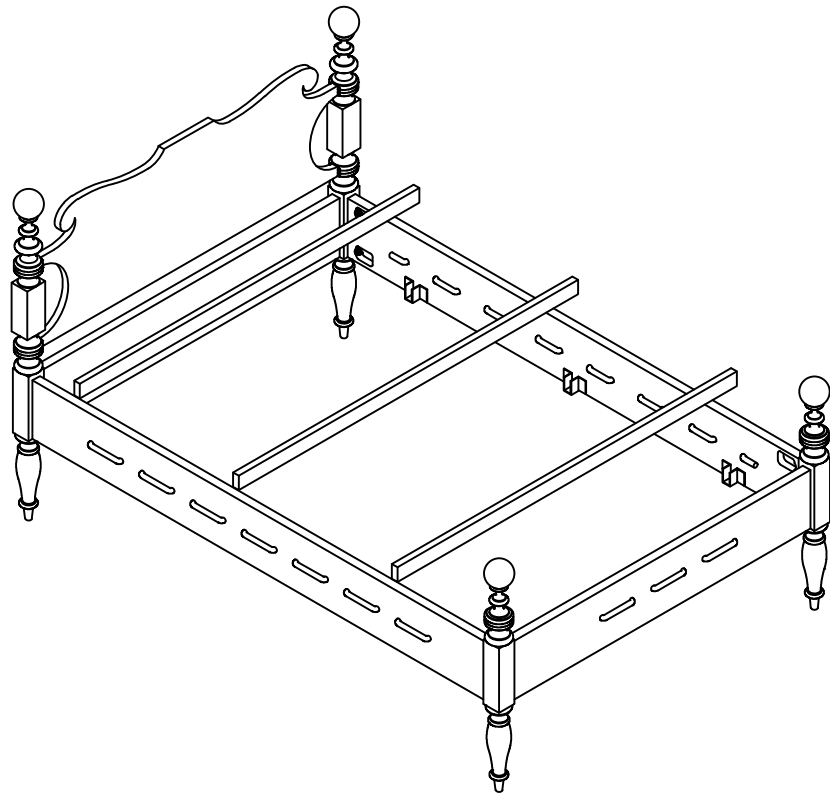
NO.	ITEM	DESCRIPTION	QTY.
1		Threaded Bolt M10x100	8 pcs
2		Hex Nut	8 pcs
3		Semicircle Washer Ø10	8 pcs
4		Flat washer Ø10	8 pcs
5		Spring washer Ø10	8 pcs
6		Wrench	1 pc

Step 1. Install Side rail to Headboard and Footboard by using Threaded Bolt (1), Hex nut (2), Semicircle washer (3), flat washer (4), spring washers (5) and Wrench (6). Fully tightened all bolts



# ASSEMBLY INSTRUCTIONS

LL800- Limewash Finish Twin Bed



Assembly is complete.