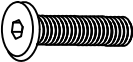



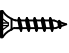
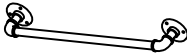
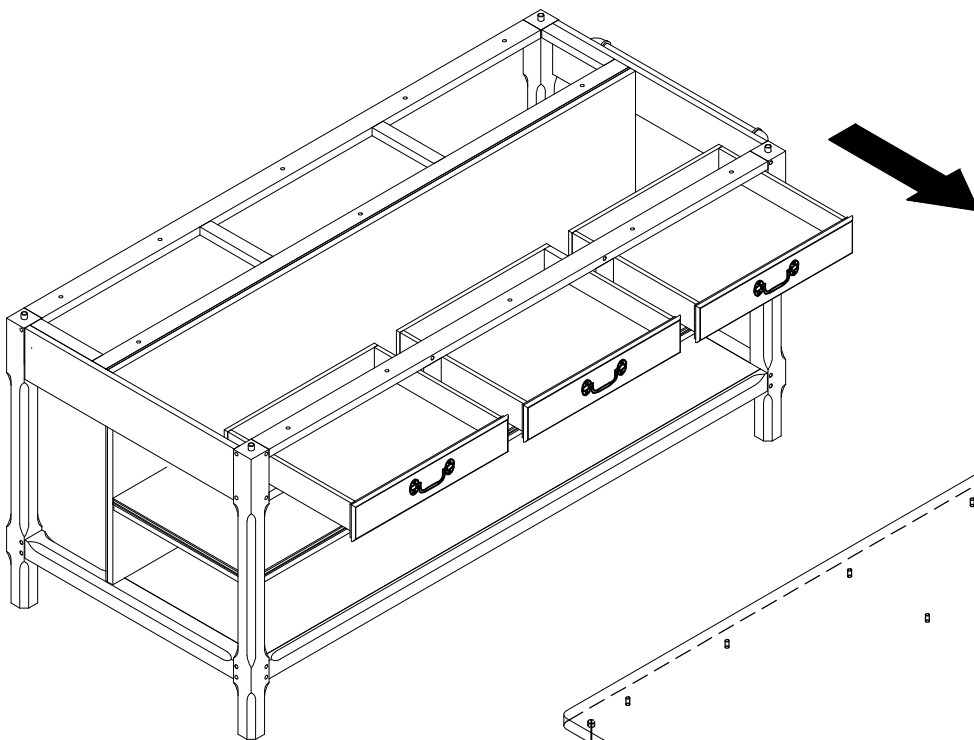


ASSEMBLY INSTRUCTIONS

LL502-41 Draper's Table

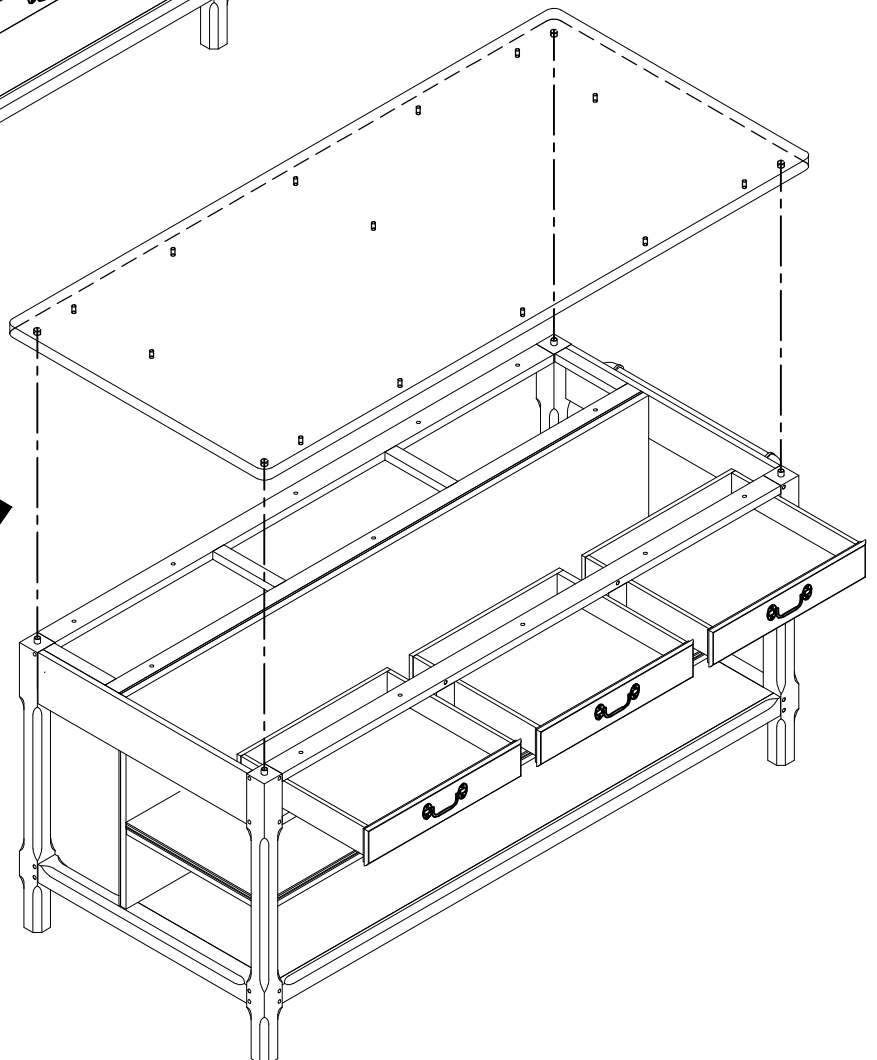
NO.	ITEM	DESCRIPTION	QTY.
1		Bolt M8x40	13 pcs
2		Flat washer Ø8	13 pcs
3		Spring washer Ø8	13 pcs
4		Allen Key M4	1 pc
5		Screw M3x15	12 pcs
6		Handle	2 pcs



Step 1. Pull out the drawers



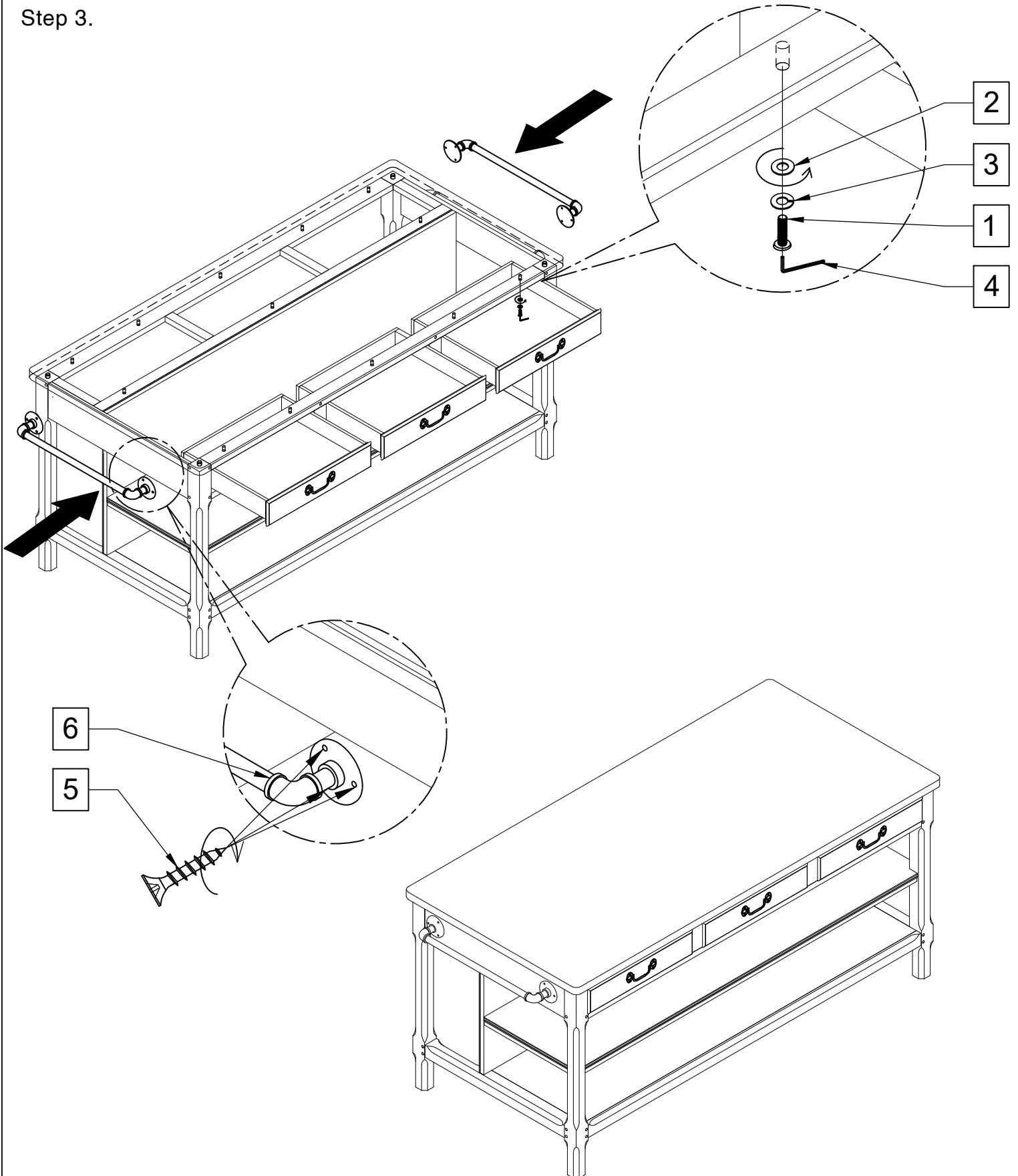
Step 2. Place the table top on the base with the dowels on base aligned with pre-drill holes on table top.



ASSEMBLY INSTRUCTIONS

LL502-41 Draper's Table

Step 3.



Assembly is complete.