



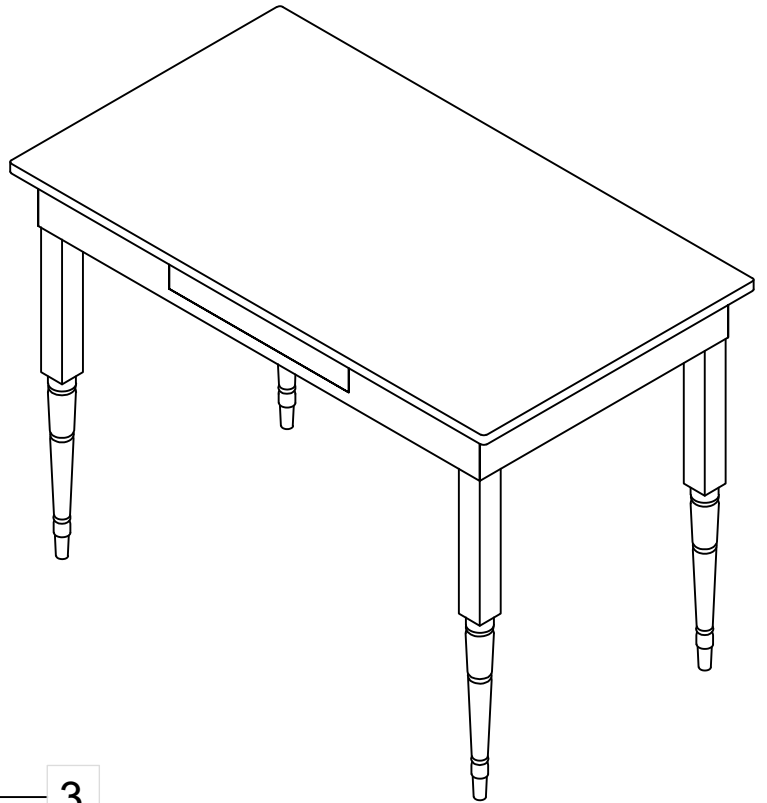


ASSEMBLY INSTRUCTIONS

LL250 Pencil Desk

NO.	ITEM	DESCRIPTION	QTY.
1		M8x50	8 pcs
2		Ø8	8 pcs
3		Ø8	8 pcs
4		M6	1 pc



Install the leg into the table top by using bolts (1), washers (2) & (3) and allen key (4). Fully tighten all bolts.

