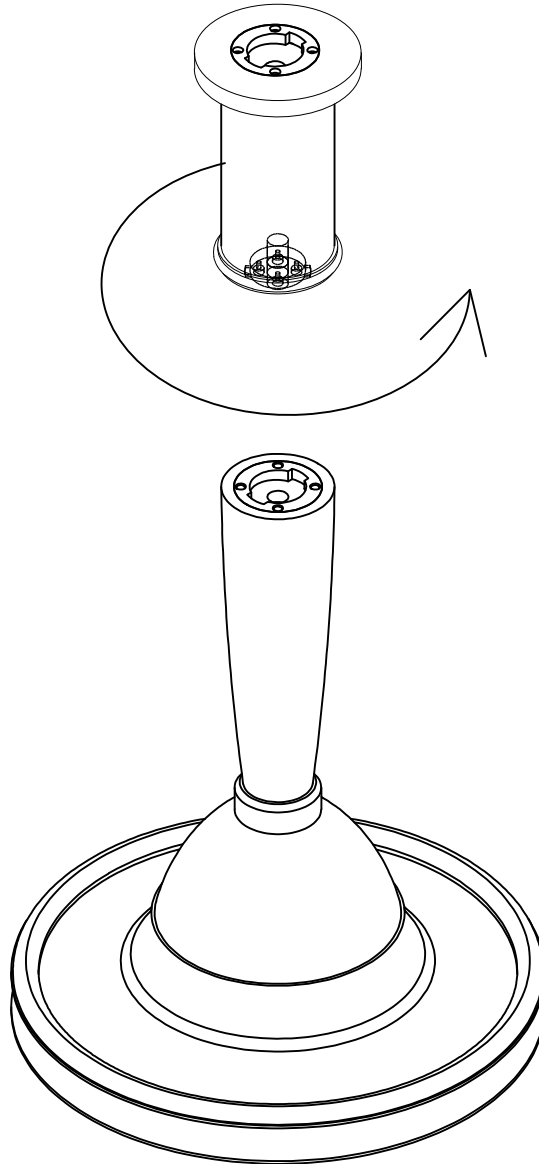


# ASSEMBLY INSTRUCTIONS

## CK503 Tyson Bar / Counter Table

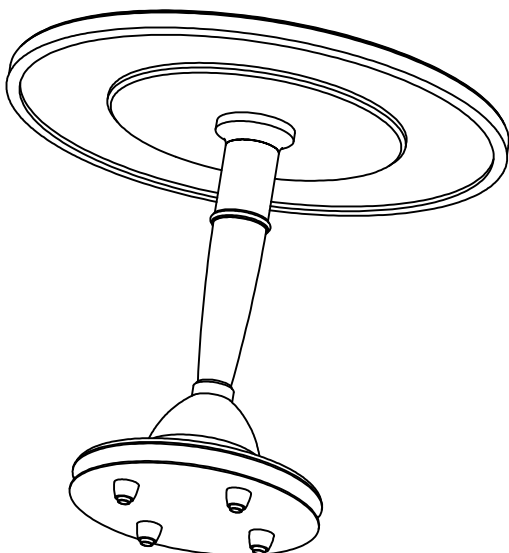
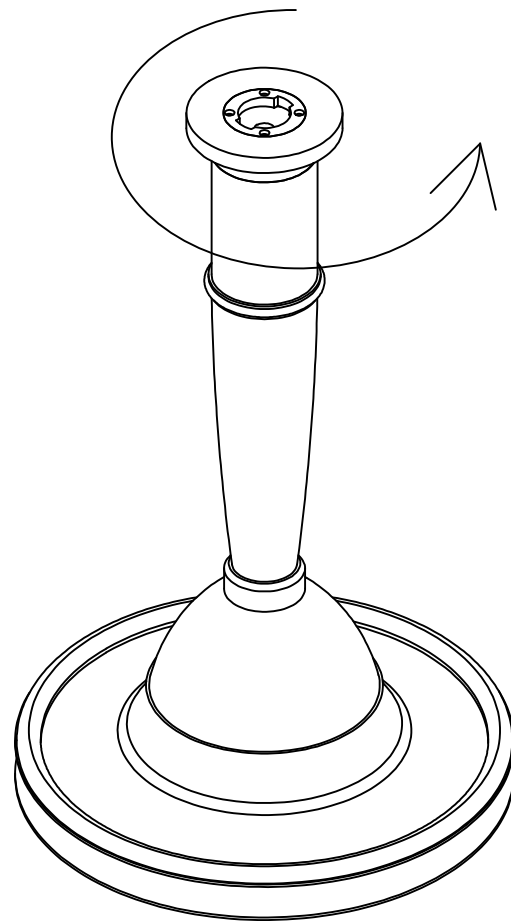
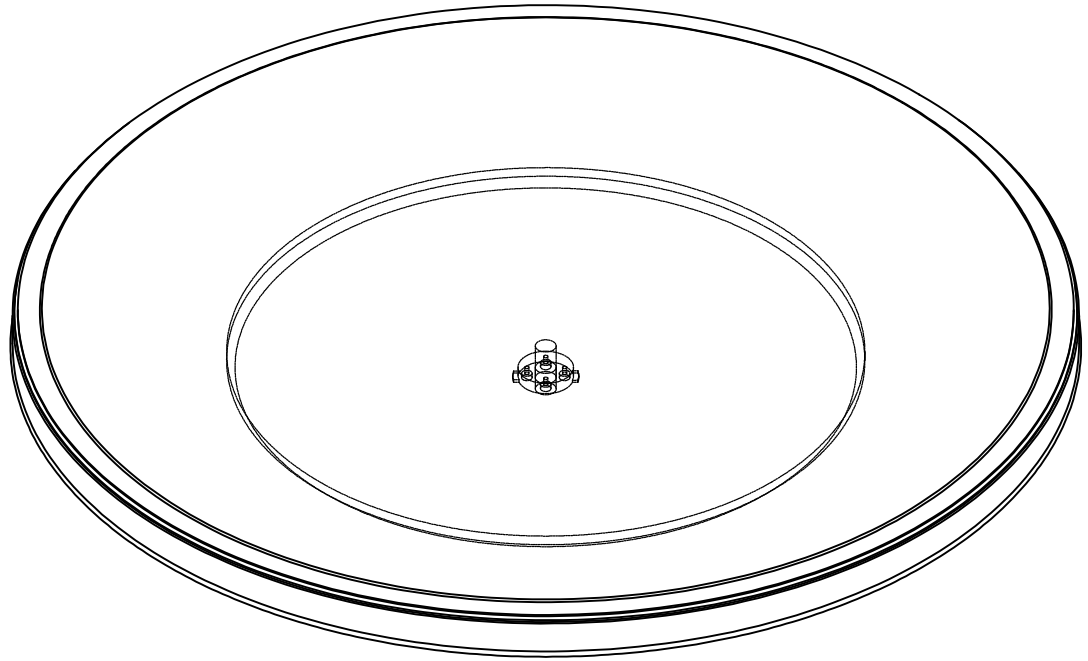
Step 1. Rotate the joint to install the hub assembly into the base.



# ASSEMBLY INSTRUCTIONS

## CK503 Tyson Bar / Counter Table

Step 2. Rotate the joint to attach the table top assembly to the center assembly.

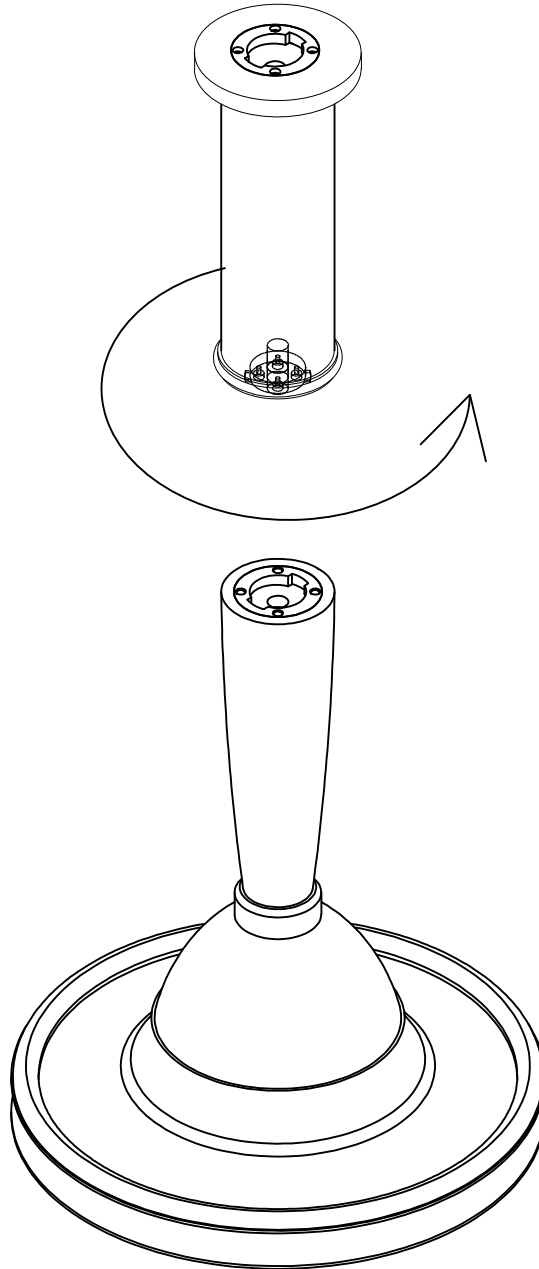


Assembly is complete.

# ASSEMBLY INSTRUCTIONS

## CK503 Tyson Bar / Counter Table

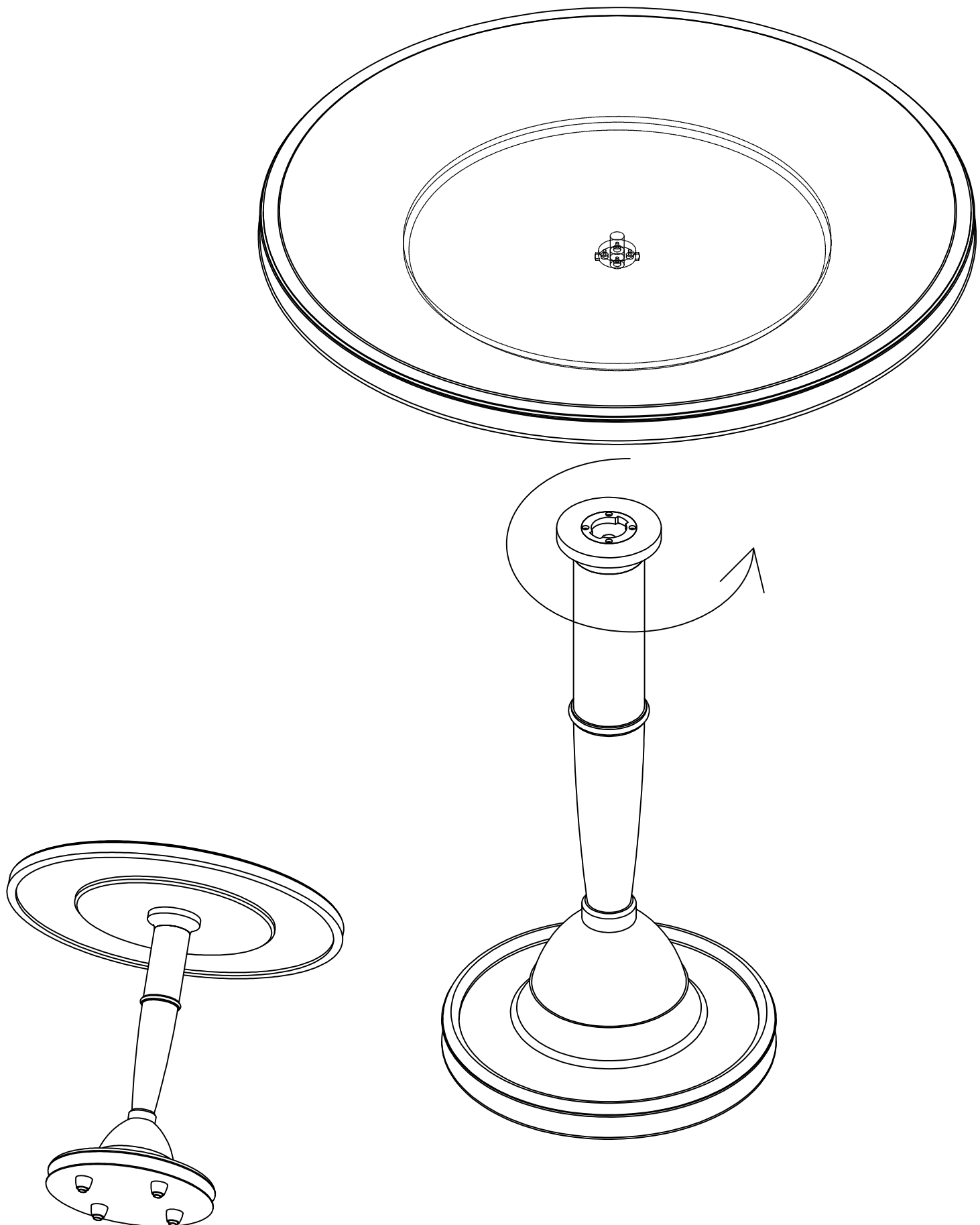
Step 3. Rotate the joint to install the hub assembly into the base.



# ASSEMBLY INSTRUCTIONS

## CK503 Tyson Bar / Counter Table

Step 4. Rotate the joint to attach the table top assembly to the center assembly.

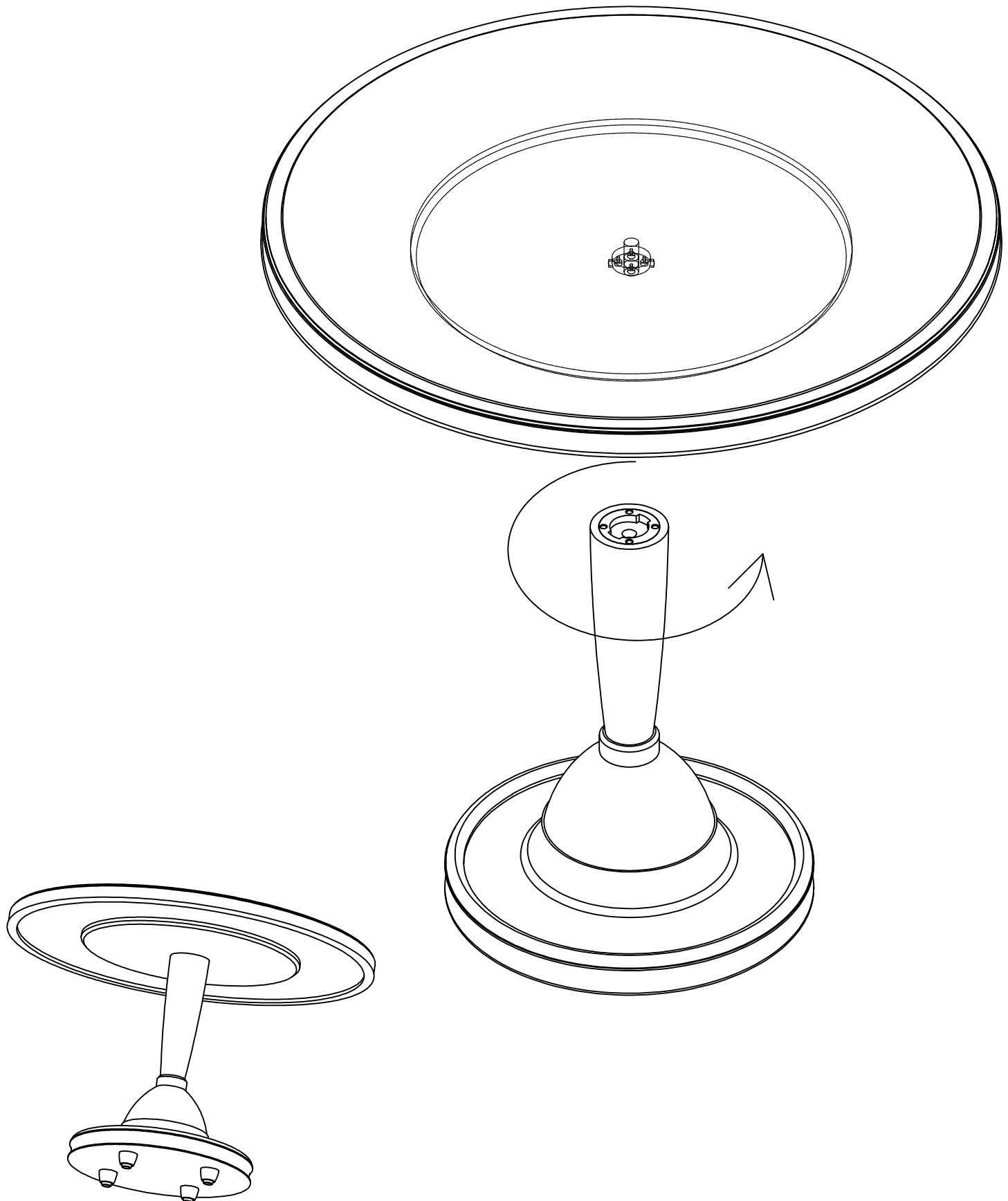


Assembly is complete.

# ASSEMBLY INSTRUCTIONS

## CK503 Tyson Bar / Counter Table

Step 5. Install the table top assembly directly to the leg assembly to reduce the height of the table.



Assembly is complete.