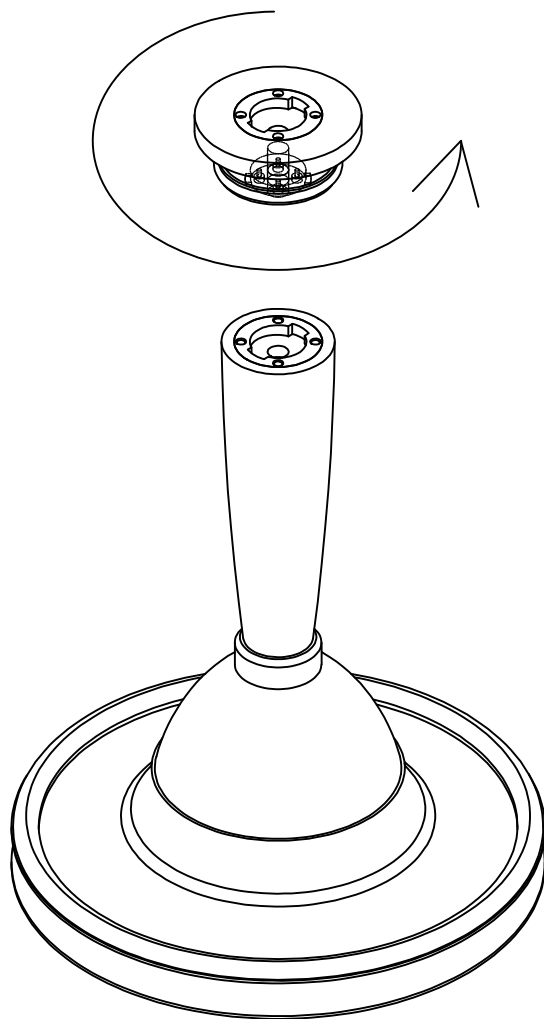


ASSEMBLY INSTRUCTIONS

CK502 Tyson Center Hall Table

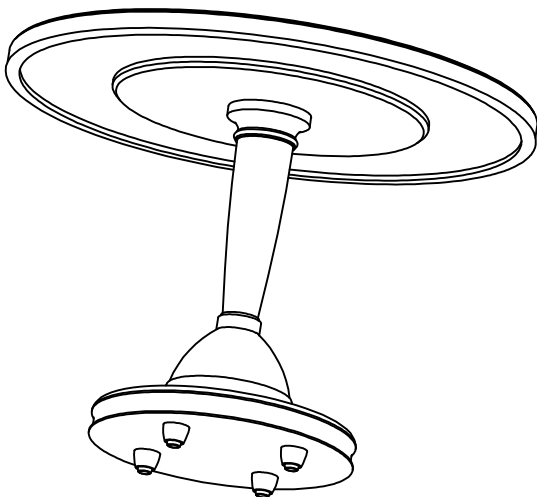
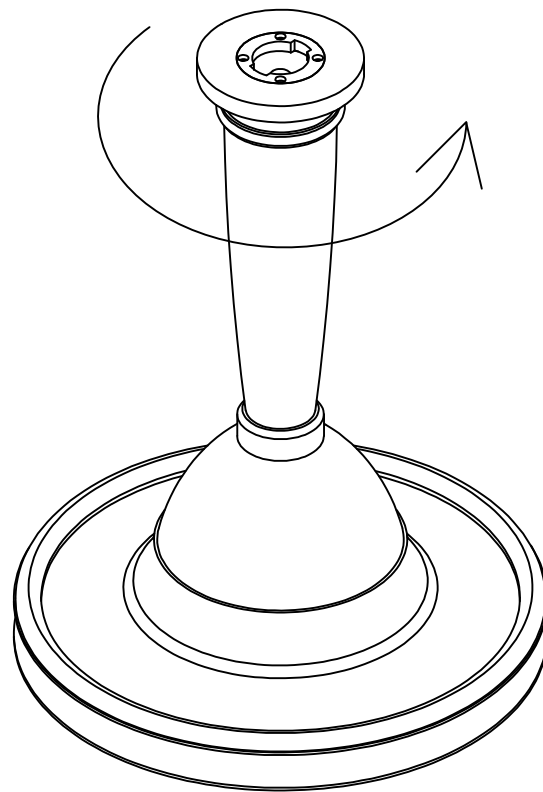
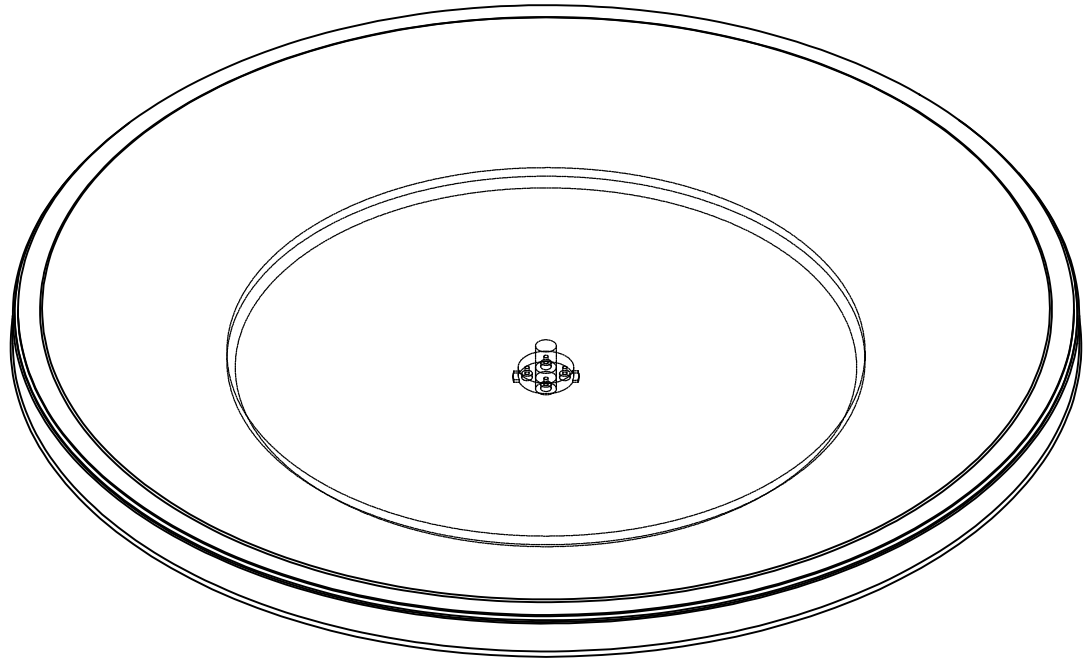
Step 1. Rotate the joint to install the hub assembly into the base.



ASSEMBLY INSTRUCTIONS

CK502 Tyson Center Hall Table

Step 2. Rotate the joint to attach the table top assembly to the center assembly.

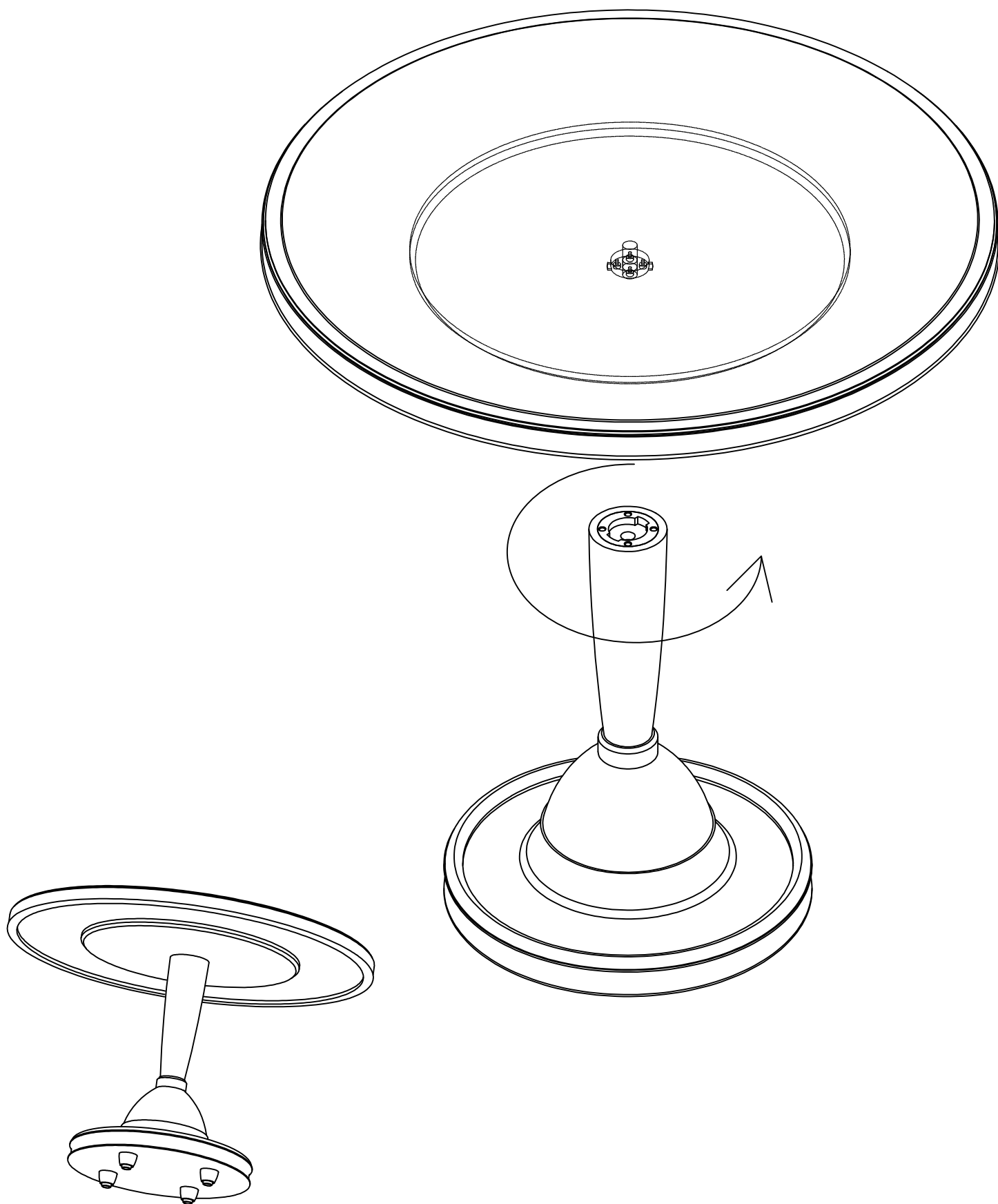


Assembly is complete.

ASSEMBLY INSTRUCTIONS

CK502 Tyson Center Hall Table

Step 3. Install the table top assembly directly to the leg assembly to reduce the height of the table.



Assembly is complete.