
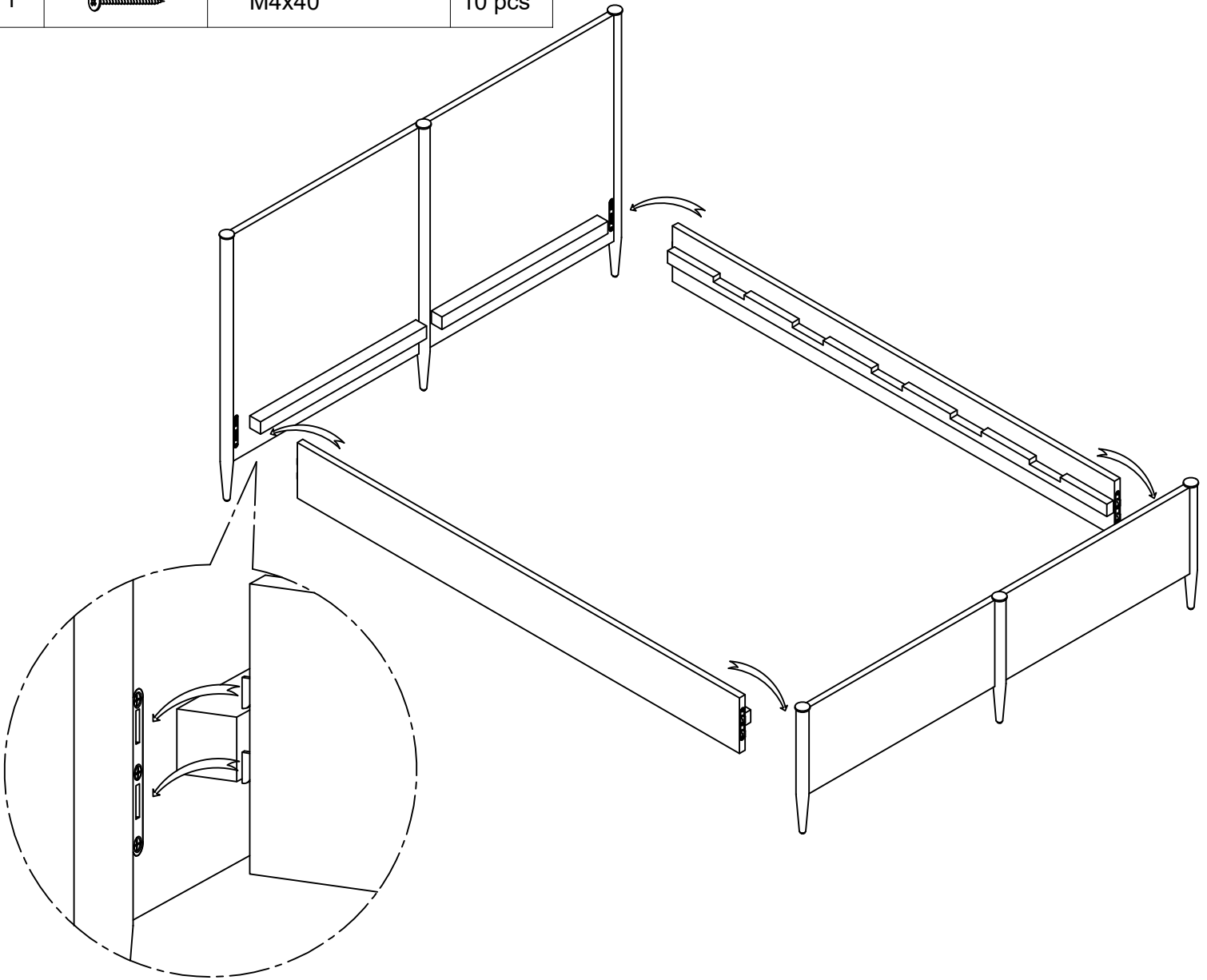


# ASSEMBLY INSTRUCTIONS

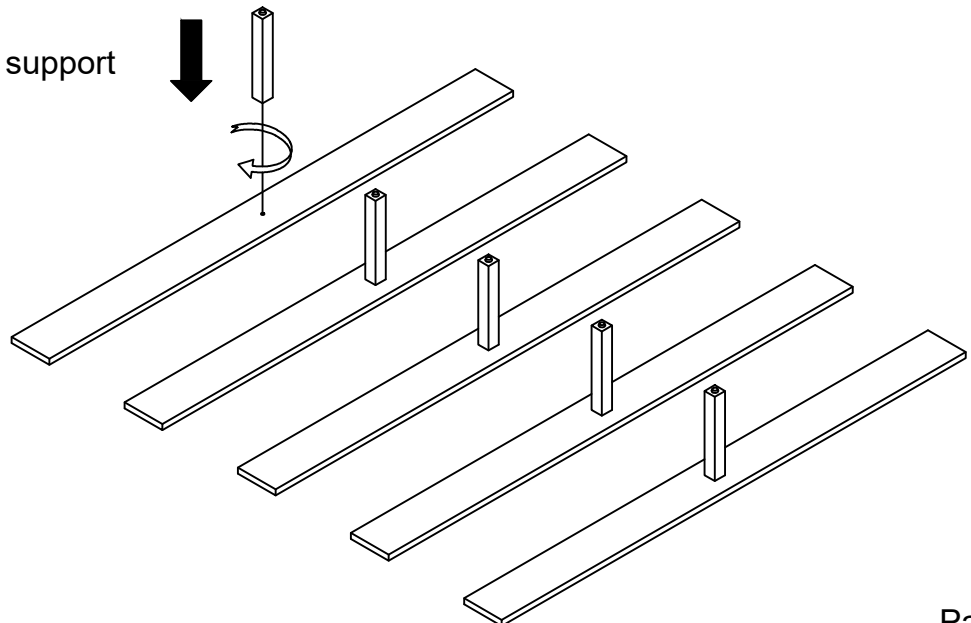
## 8013- Rosebud Queen Bed

NO.	ITEM	DESCRIPTION	QTY.
1		M4x40	10 pcs

Step 1. Install Side rail to Headboard and Footboard



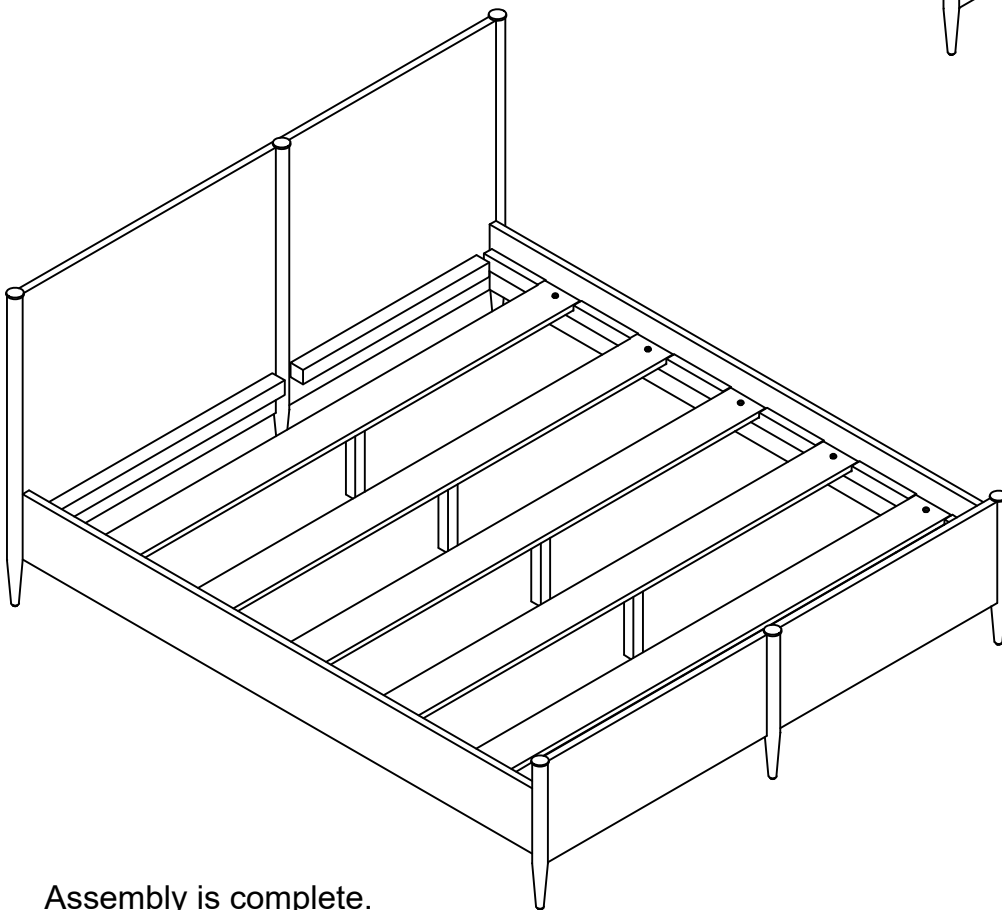
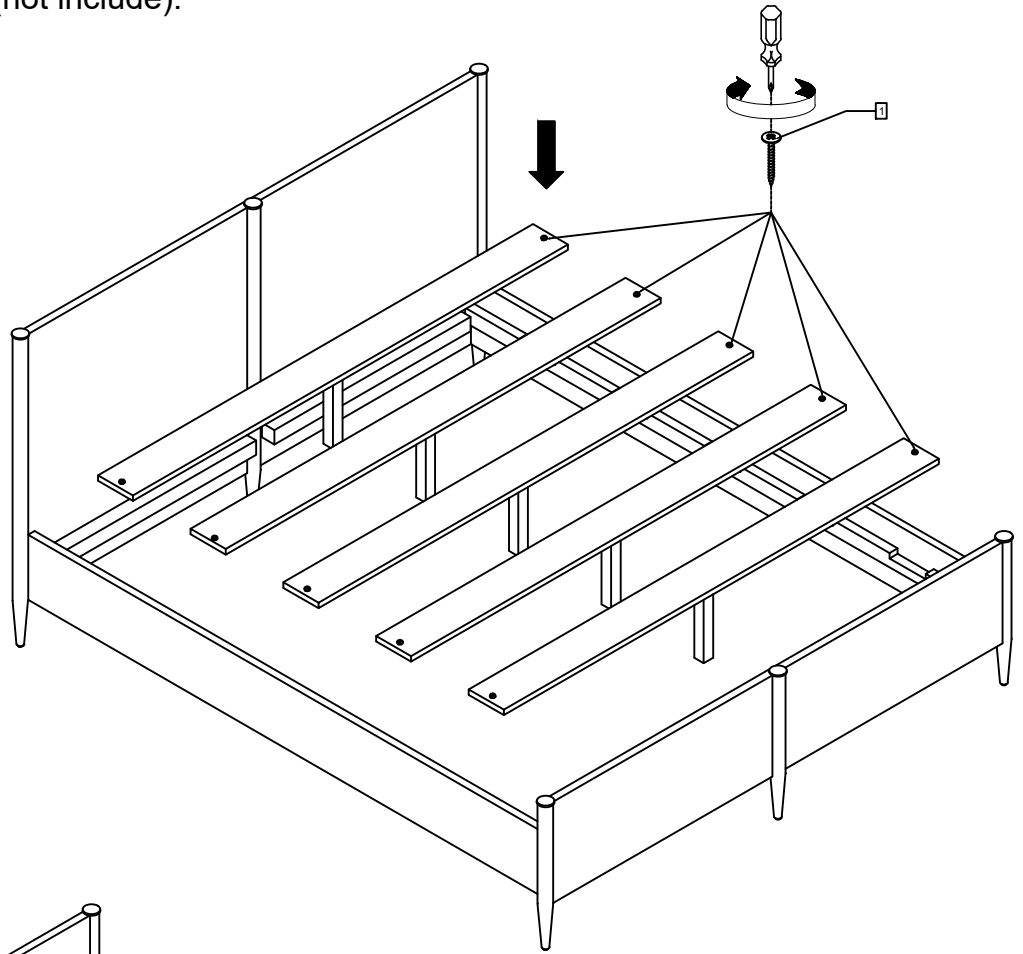
Step 2. Install Middle legs to support Rail.



# ASSEMBLY INSTRUCTIONS

## 8013- Rosebud Queen Bed

Step 3. Attach Support Rail to Side rail by using Screw and Screw driver (not include).



Assembly is complete.

# DIMENSION

## 8013- Rosebud Queen Bed

