
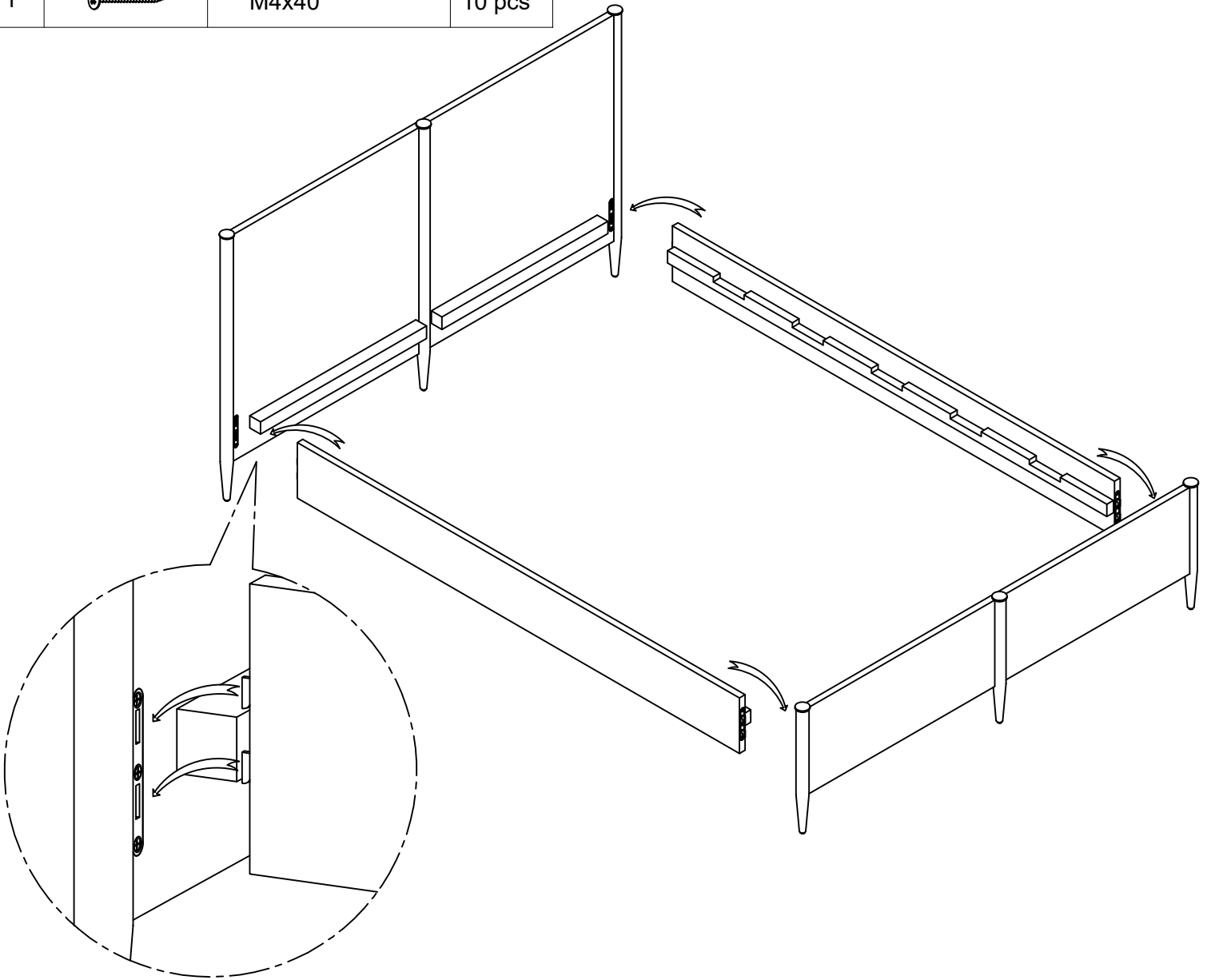


ASSEMBLY INSTRUCTIONS

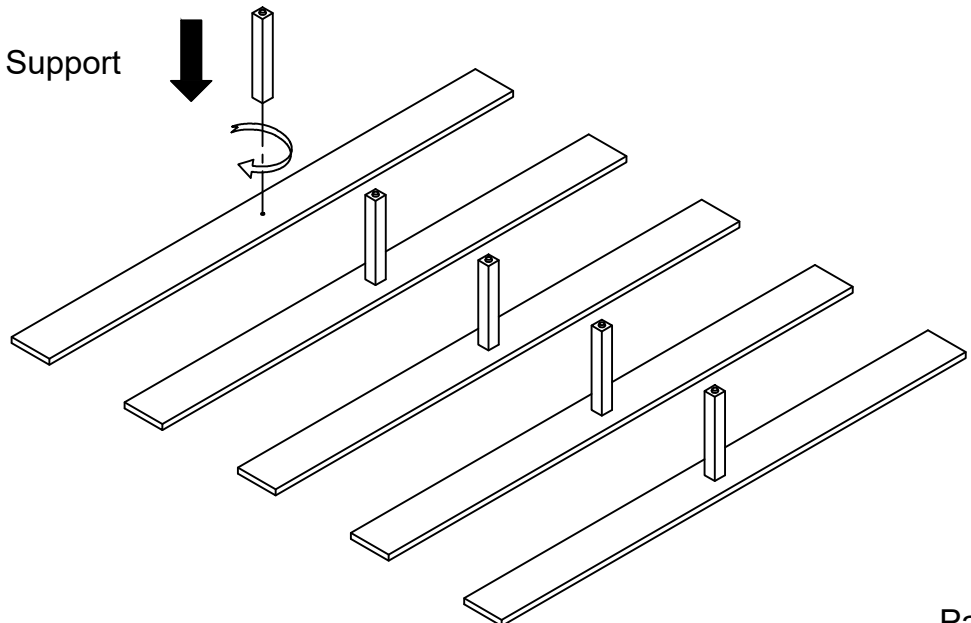
8013- Rosebud King Bed

| NO. | ITEM | DESCRIPTION | QTY. |
|-----|---|-------------|--------|
| 1 |  | M4x40 | 10 pcs |

Step 1. Install Side rail to Headboard and Footboard



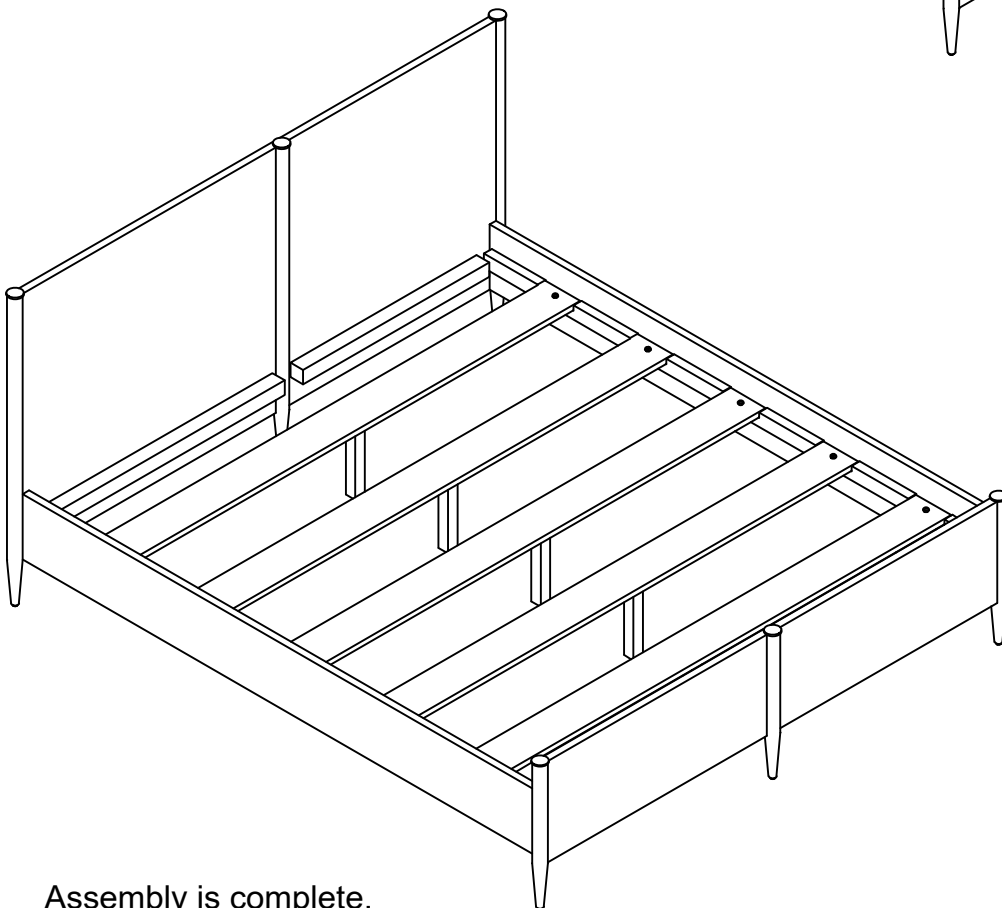
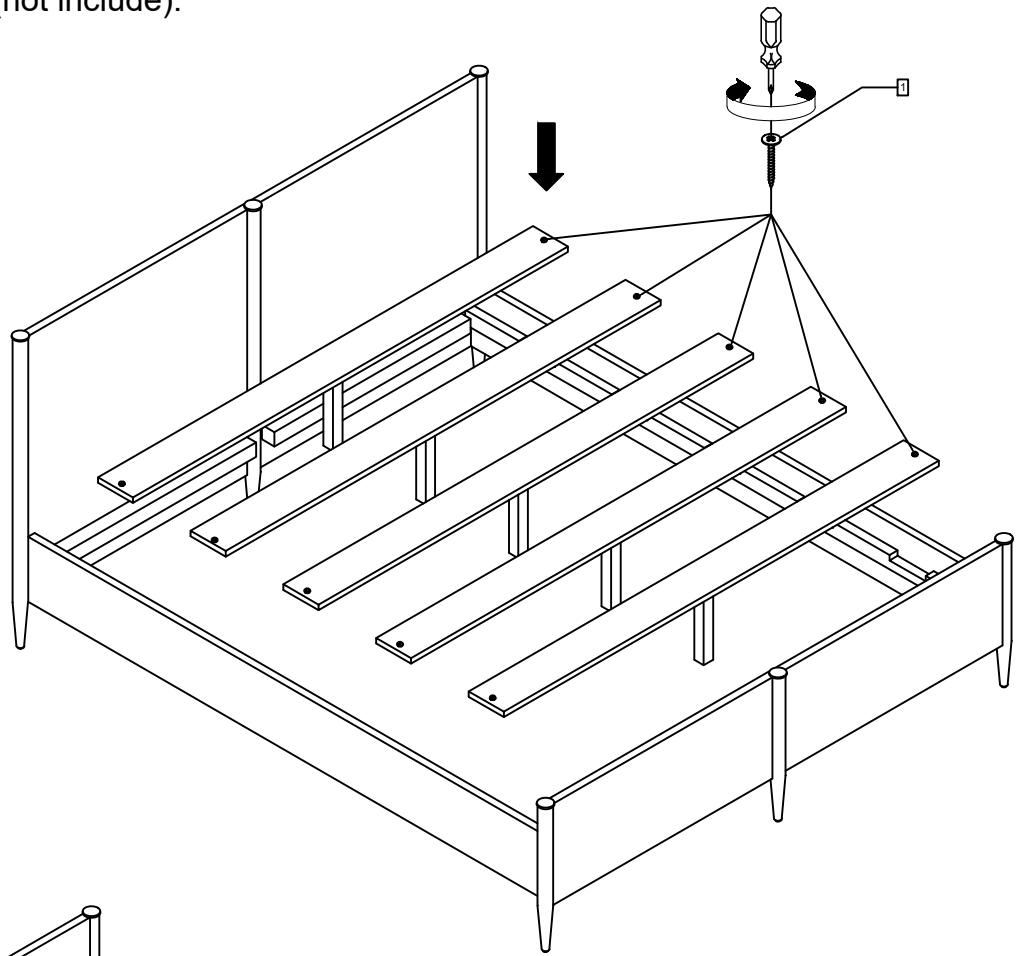
Step 2. Install Middle legs to Support rail.



ASSEMBLY INSTRUCTIONS

8013- Rosebud King Bed

Step 3. Attach Support Rail to Side rail by using Screw and Screw driver (not include).



Assembly is complete.

