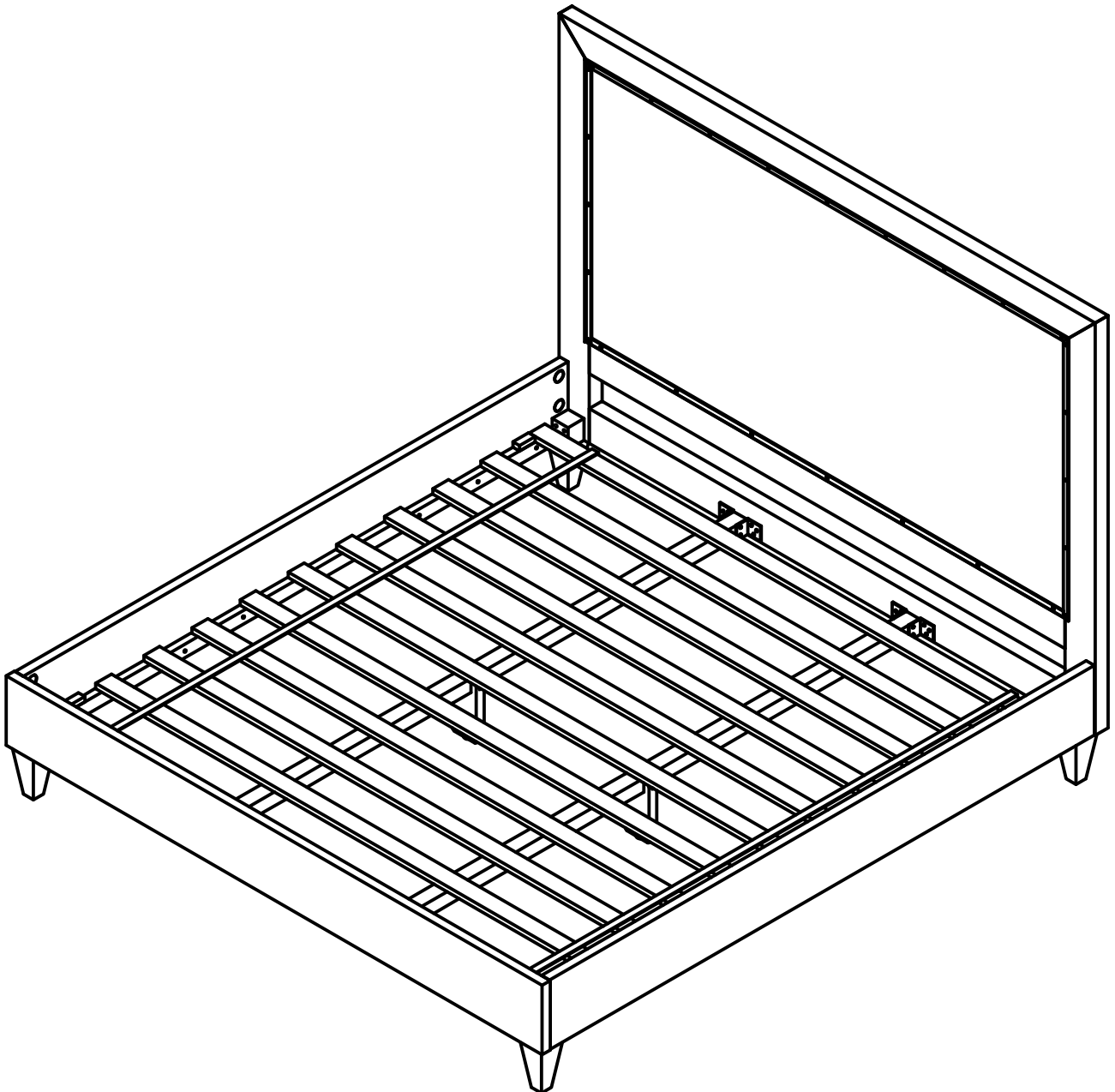

ELIANA KING BED

Assembly Instructions
Instructions d'assemblage
Instrucciones de Ensamblaje

1/4

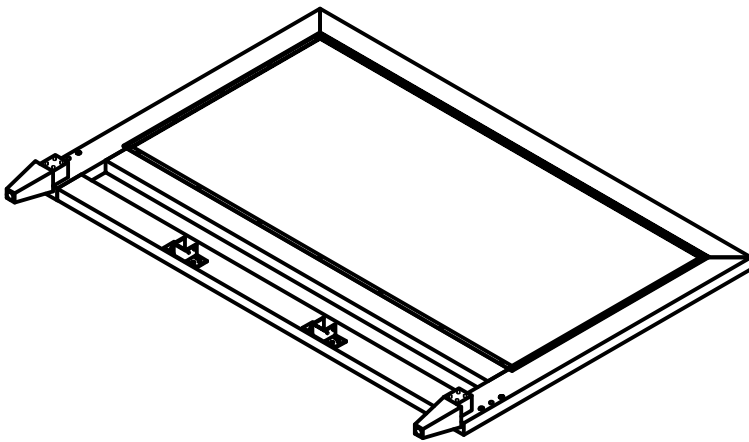


ELIANA KING BED

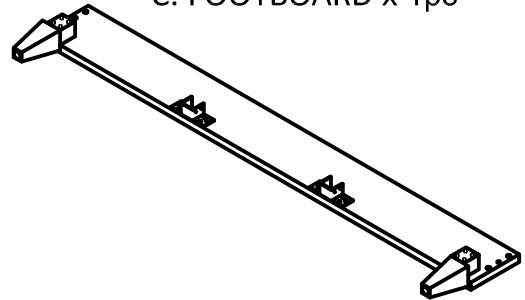
Assembly Instructions
Instructions d'assemblage
Instrucciones de Ensamblaje

2/4

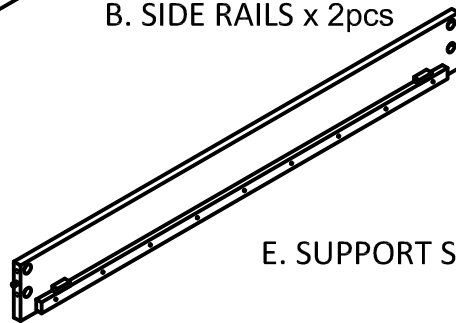
A. HEADBOARD x 1pc



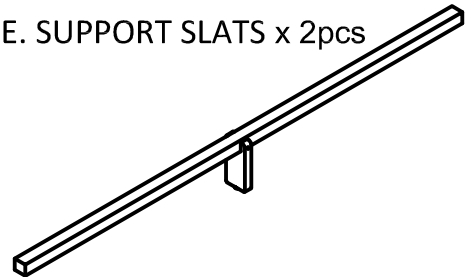
C. FOOTBOARD x 1pc



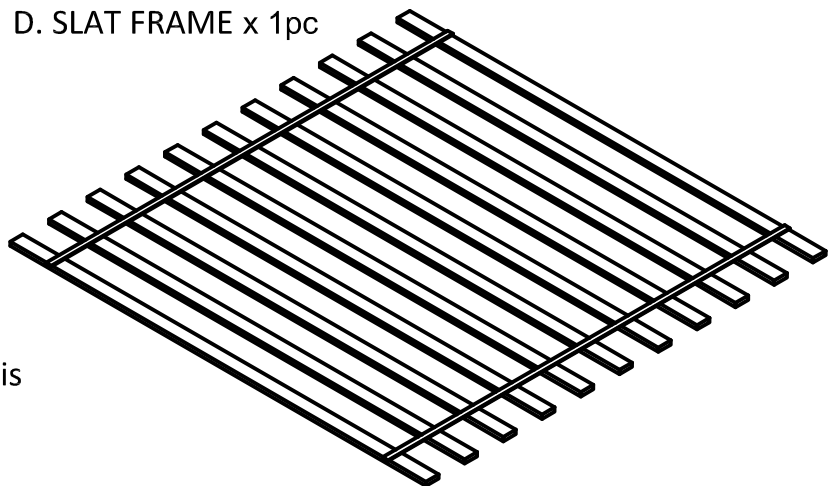
B. SIDE RAILS x 2pcs



E. SUPPORT SLATS x 2pcs



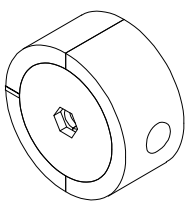
D. SLAT FRAME x 1pc



Be sure to check all packaging materials carefully for small parts that may have become loose during shipment and place all parts on a non-abrasive surface.

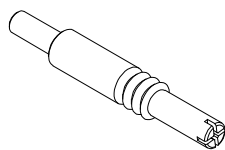
These parts can be cumbersome and heavy to some people, therefore the assistance of two or more people is recommended in order to prevent personal injury and ensure the furniture is not damaged during the assembly Process.

1



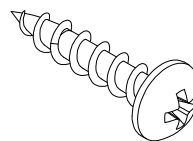
Lock Bolt
x8 pcs

2



Screw Bolt
x8 pcs

3



Round Head Screw
x8 pcs

4



Allen Wrench
x1 pc

ELIANA KING BED

Assembly Instructions
Instructions d'assemblage
Instrucciones de Ensamblaje

3/4

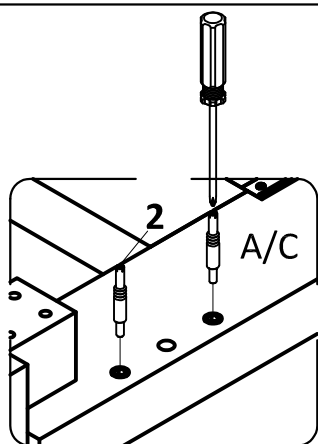
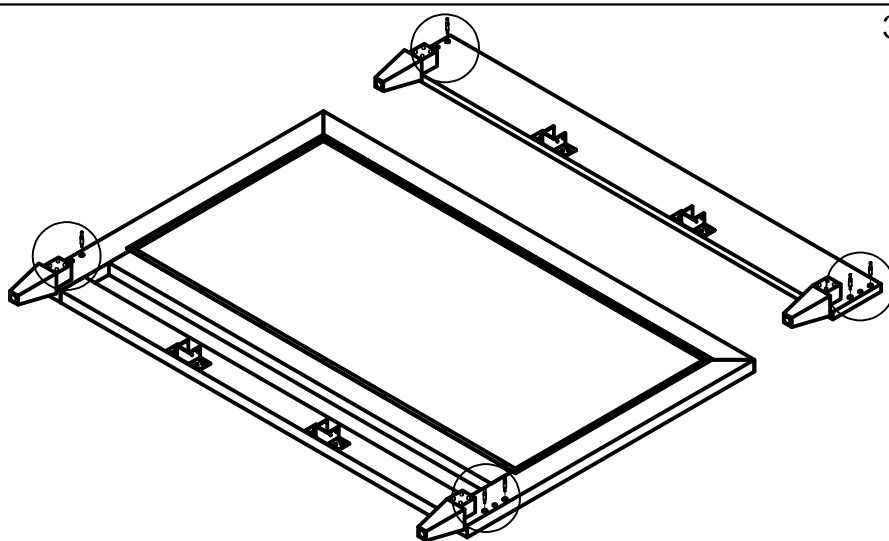


FIGURE 01



STEP #1:

Attach screws bolt (2) into the pre-drilled holes on headboard (A) and footboard (C), as illustrated in **FIGURE 01**.

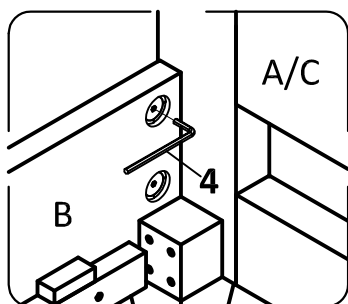


FIGURE 02-B

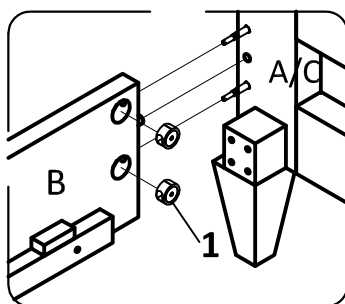
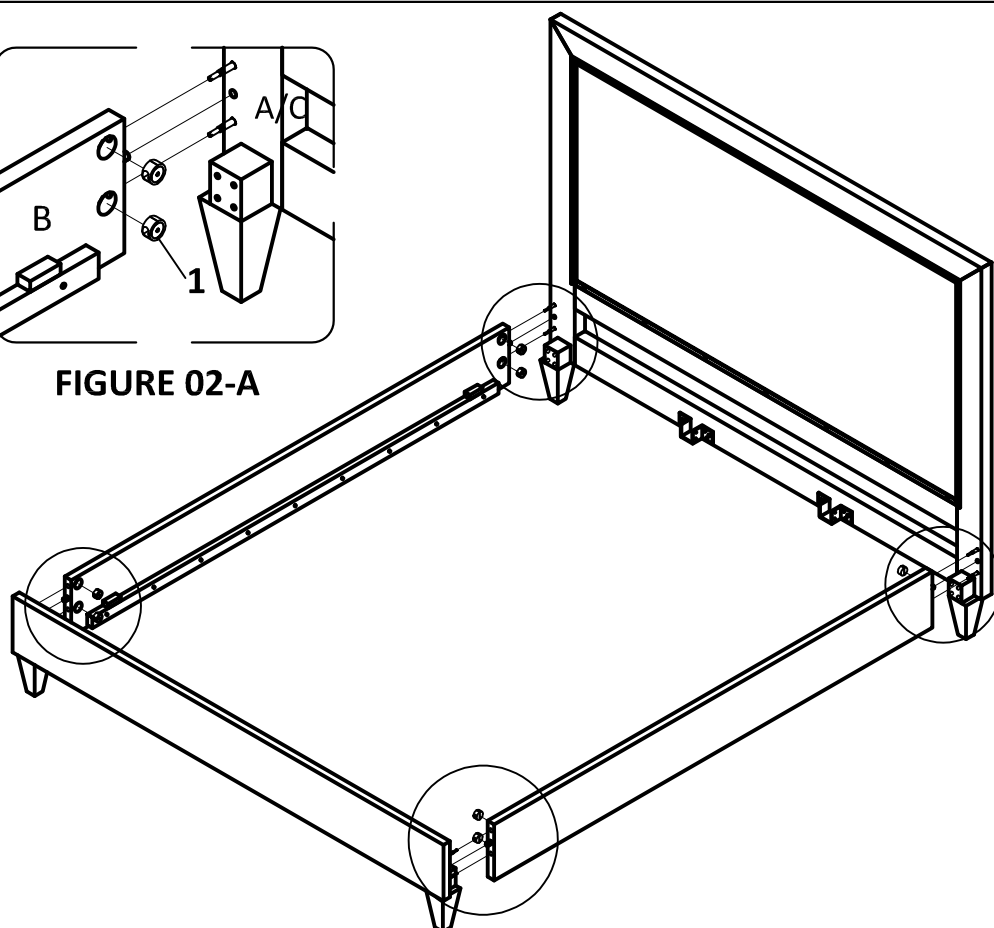


FIGURE 02-A



STEP #2:

Place the headboard (A) upright in the position you wish the bed to be in when fully assembled. The headboard bed fast hardware should be facing inside, toward the mattress. Attach **locks bolt** (1) into the pre-drilled holes on side rails (B). Put the side rails (B) up against the headboard (A) so the screws bolt (2) go through the bore holes, as illustrated in **FIGURE 02-A**.

Then tighten the **locks bolt** (1) with Allen Wrench (4) provided, as illustrated in **FIGURE 02-B**.

STEP #3:

Repeat the above procedure with the other side rail (B) to attach it to the headboard (A), and then repeat to connect side rails (B) to the footboard (C).

ELIANA KING BED

Assembly Instructions
Instructions d'assemblage
Instrucciones de Ensamblaje

4/4

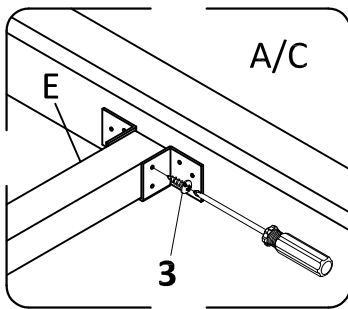
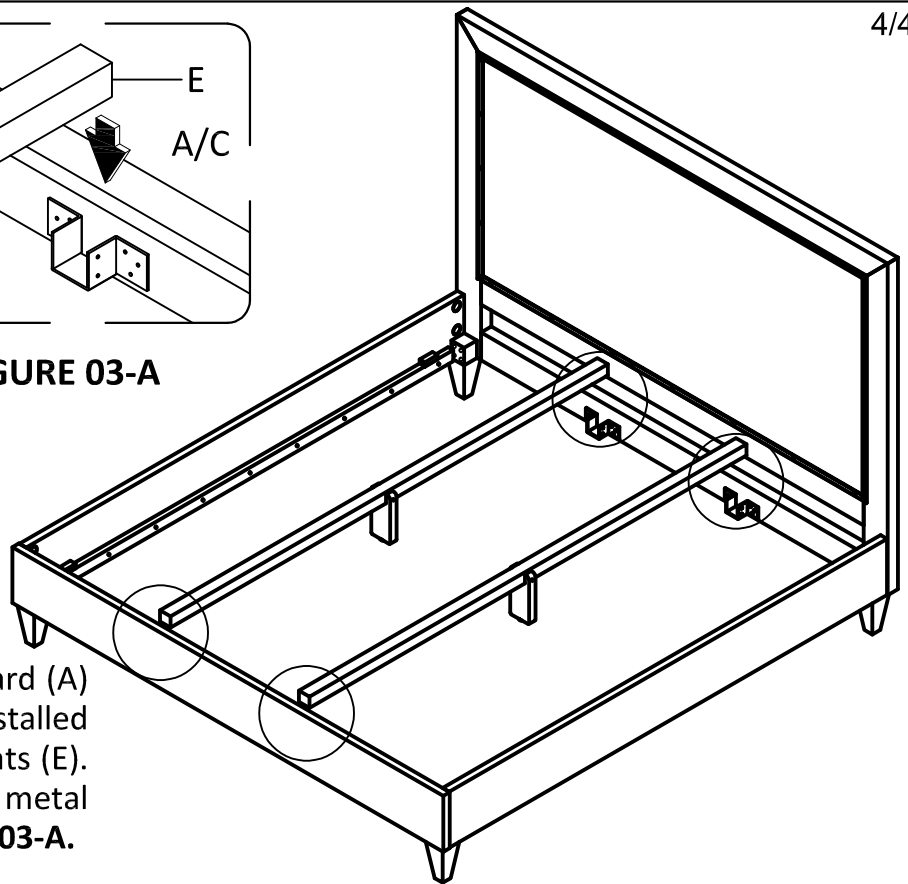


FIGURE 03-B



FIGURE 03-A



STEP #4:

On inside face of both headboard (A) and footboard (C) are pre-installed metal brackets for the support slats (E). Set the support slat (E) on the metal brackets, as illustrated in **FIGURE 03-A**.

STEP #5:

Secure support slat (E) to pre-installed metal brackets using round head screws (3), as illustrated in **FIGURE 03-B**.

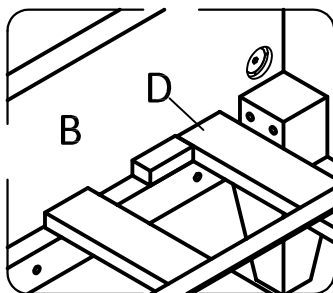
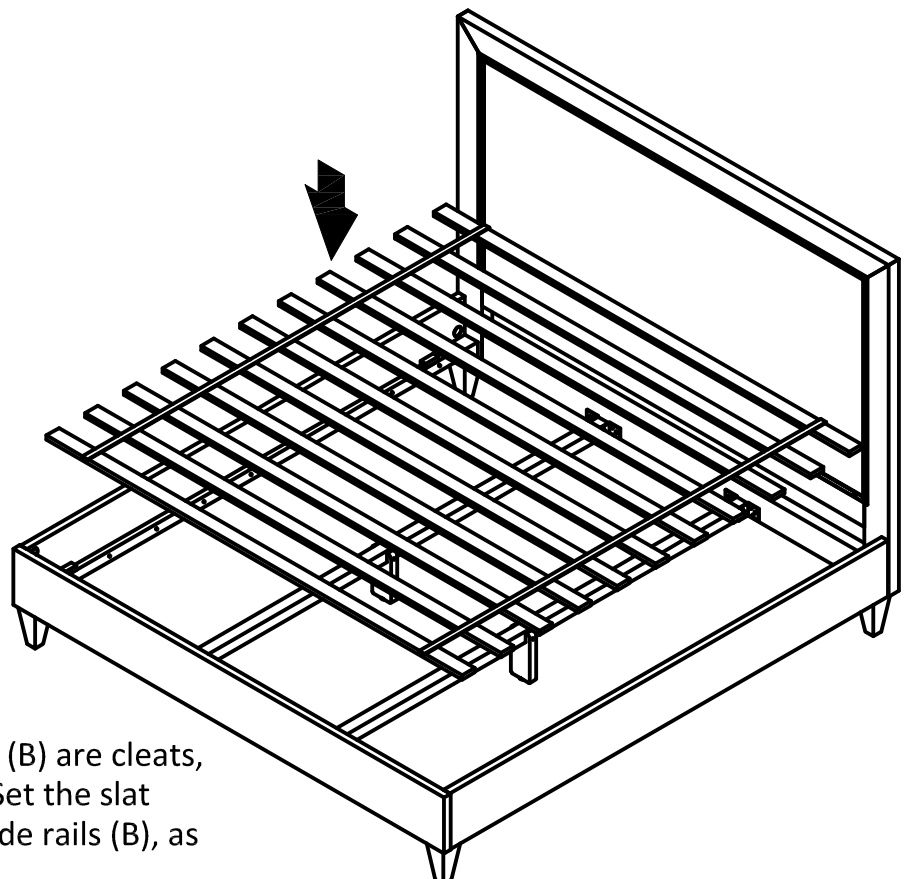


FIGURE 04



STEP #6:

On inside face of both side rails (B) are cleats, designed to hold the slat frame. Set the slat frame (D) into the cleats of the side rails (B), as shown in **FIGURE 04**.