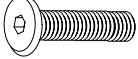



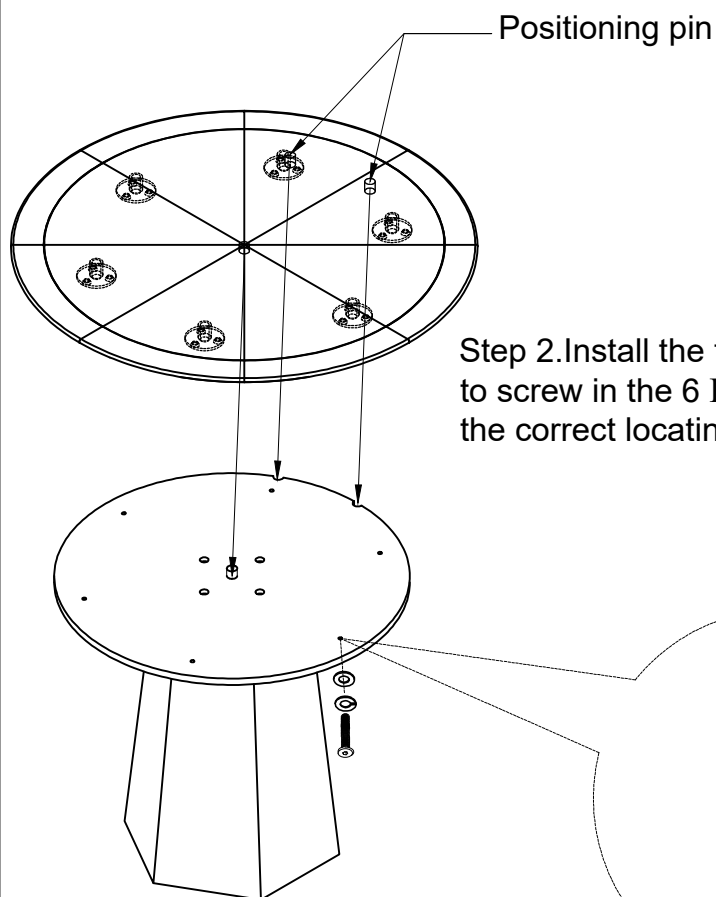
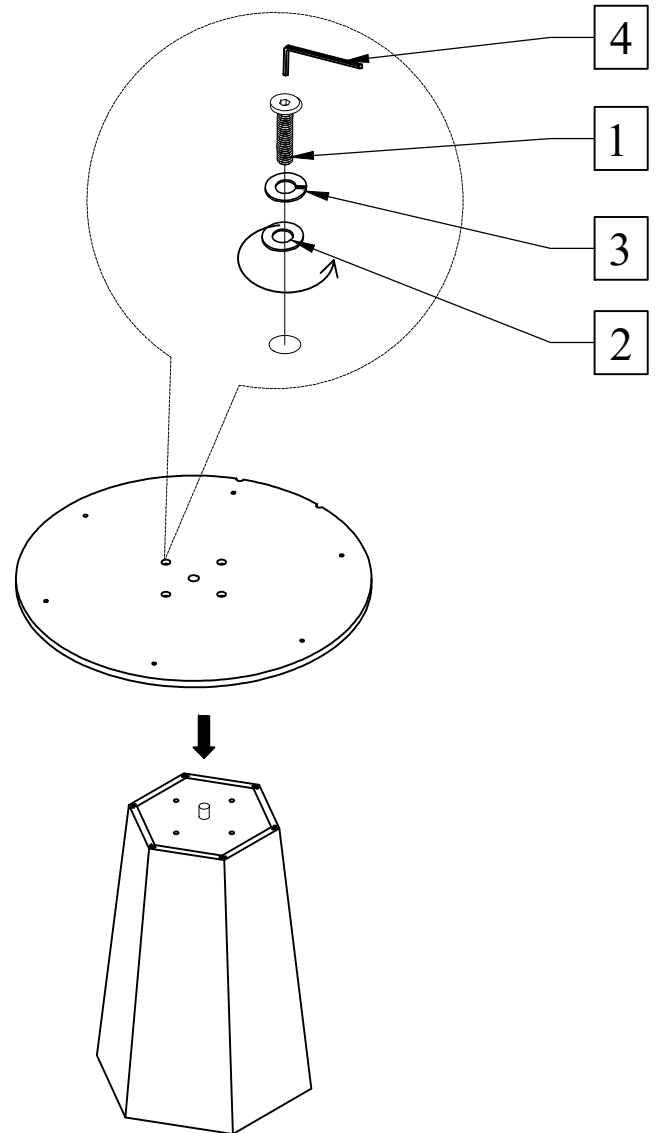


ASSEMBLY INSTRUCTIONS

5114 DINING TABLE

NO.	ITEM	DESCRIPTION	QTY.
1		Bolt M8x30	10 pcs
2		Flat washer Ø8	10 pcs
3		Spring washer Ø8	10 pcs
4		Allen Key M4	1 pc

Step 1. Install the support plate on to the body assembly then use the Allen Key M4(4) to lock the 4 Bolt M8x30 (1) positioning.



Step 2. Install the table top on the support plate, then use a Allen Key M4(4) to screw in the 6 Bolt M8x30(1), paying attention to rotating the table top to the correct locating pin.

