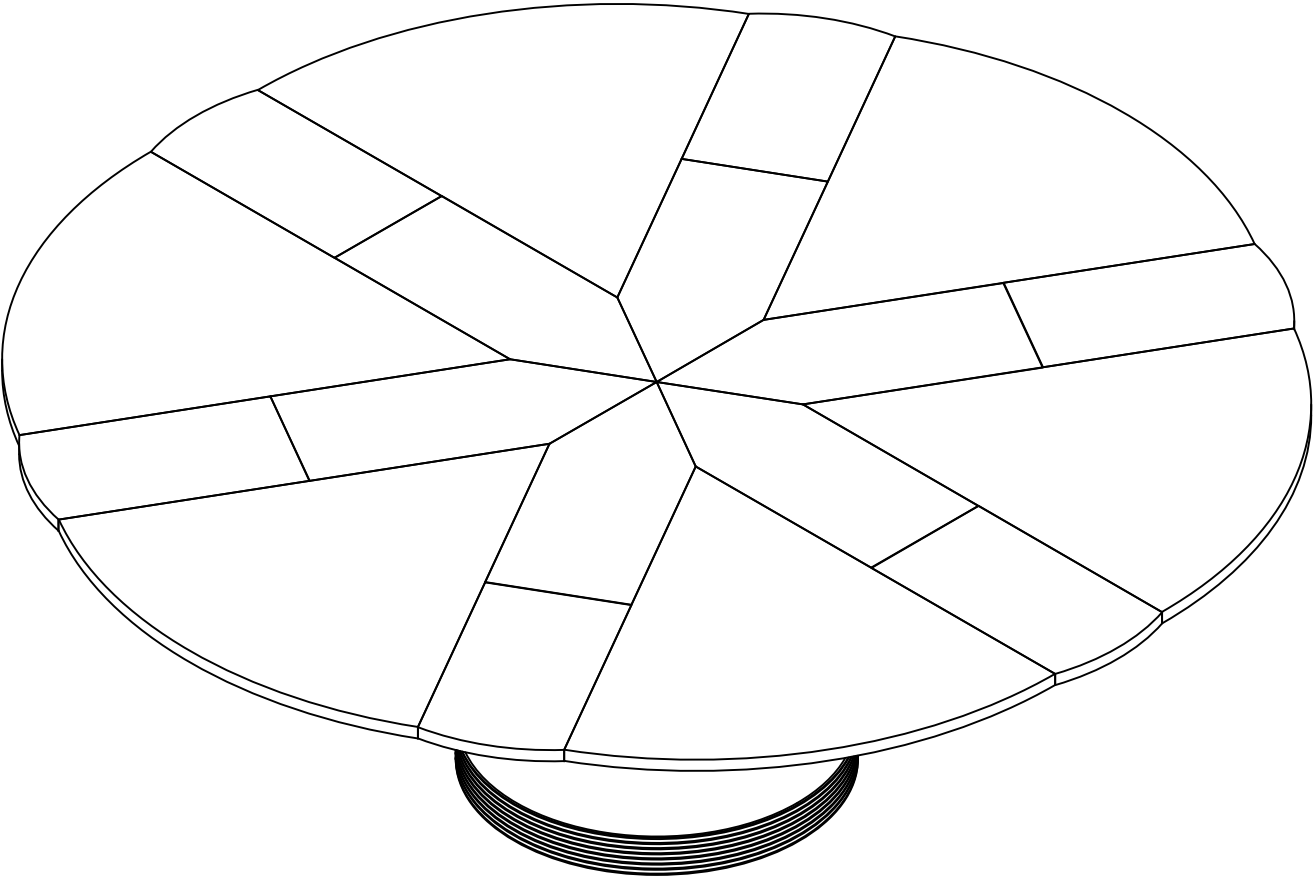

RAWLINS DINING JUPE TABLE

Assembly Instructions
Instructions d'assemblage
Instrucciones de Ensamblaje

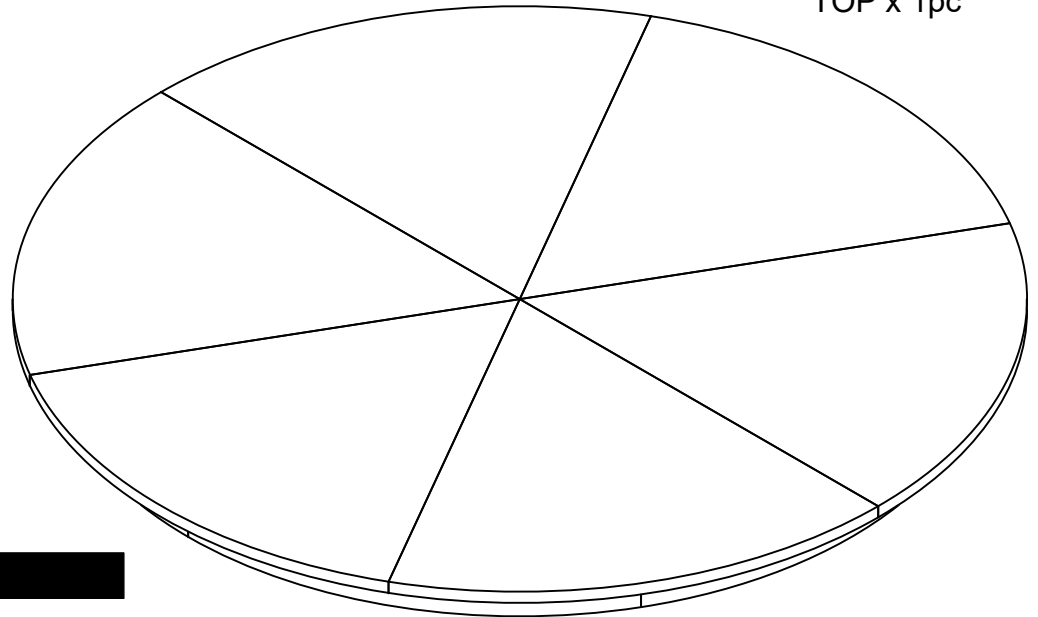


RAWLINS DINING JUPE TABLE

Assembly Instructions
Instructions d'assemblage
Instrucciones de Ensamblaje

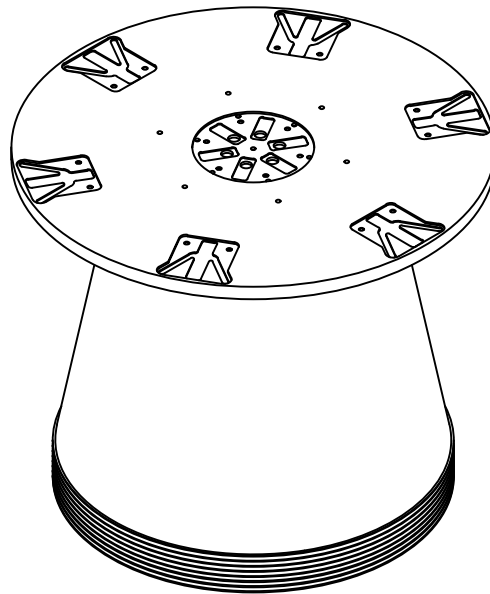
2/5

TOP x 1pc



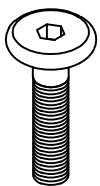
Be sure to check all packaging materials carefully for small parts that may have become loose during shipment and place all parts on a non-abrasive surface.

These table parts can be cumbersome and heavy to some people, therefore the assistance of two or more people is recommended in order to prevent personal injury and ensure the table parts are not damaged during the assembly process.



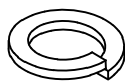
BASE x 1pc

A



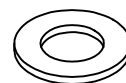
Allen Head Bolt
x18 pcs

B



Lock Washer
x18 pcs

C



Flat Washer
x18 pcs

D

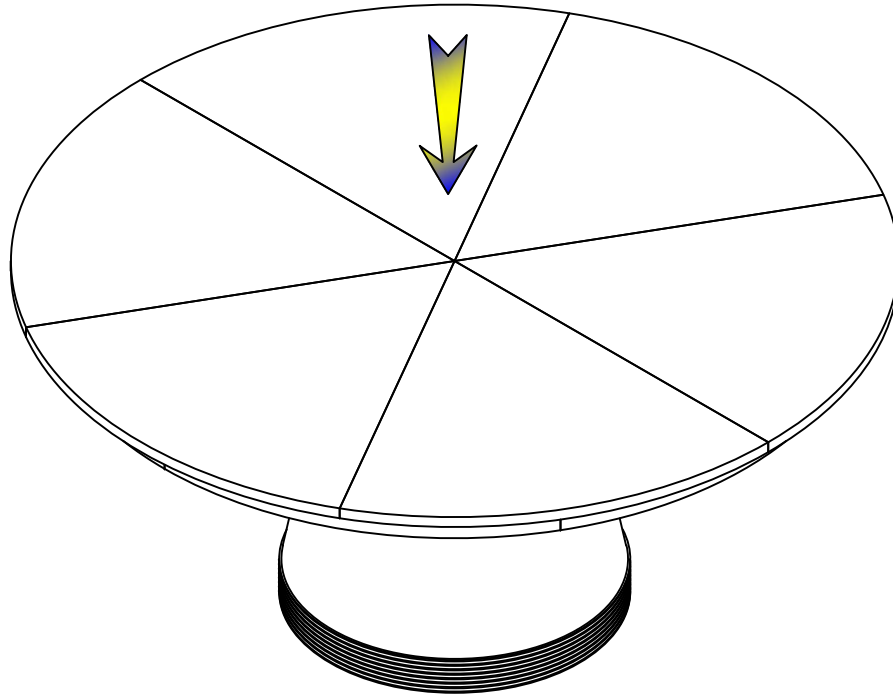


Allen Wrench
x1 pc

RAWLINS DINING JUPE TABLE

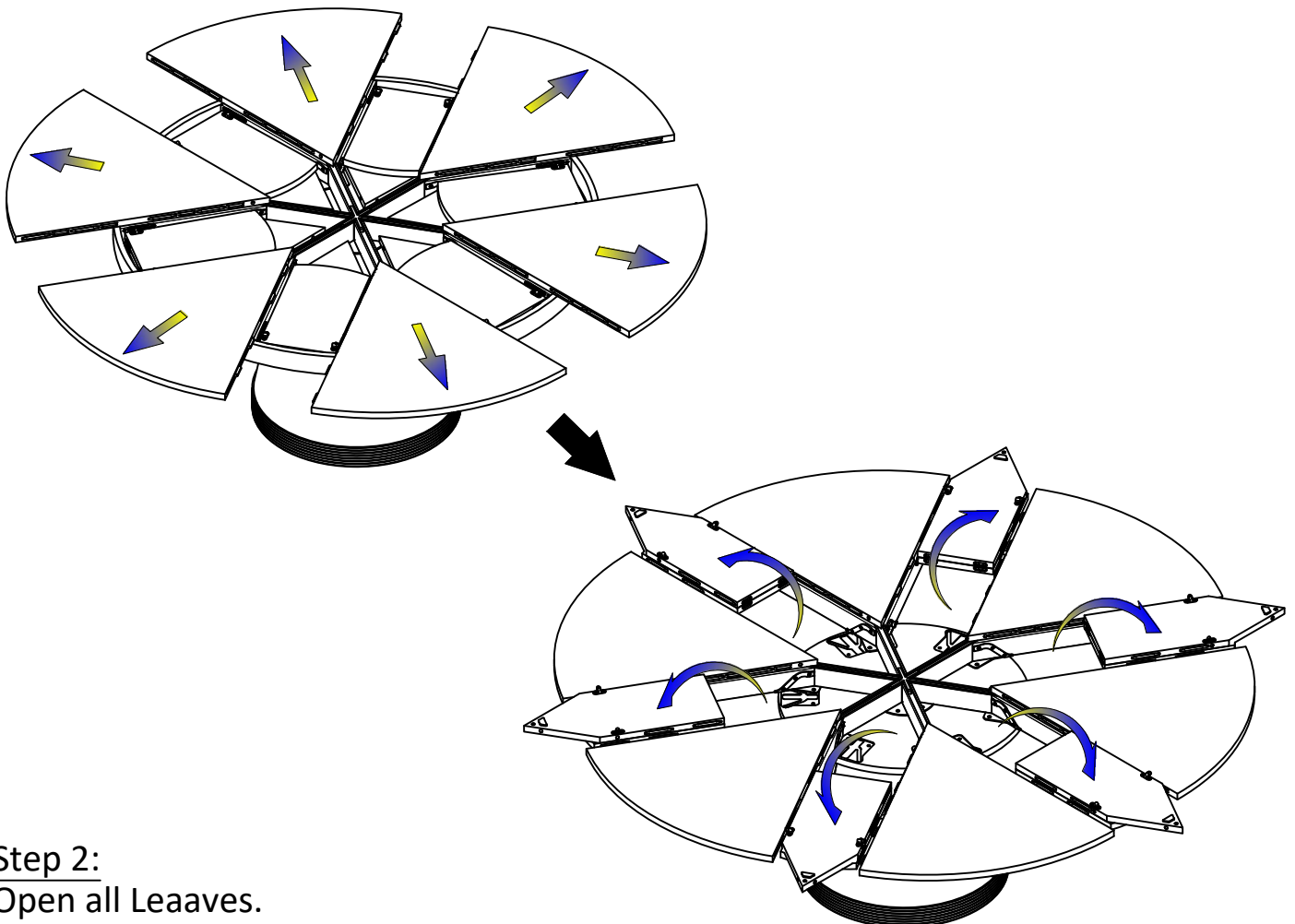
Assembly Instructions
Instructions d'assemblage
Instrucciones de Ensamblaje

3/5



Step 1:

Unpack the Base from box and place them on a flat surface.
Then unpack the TOP and place into BASE.



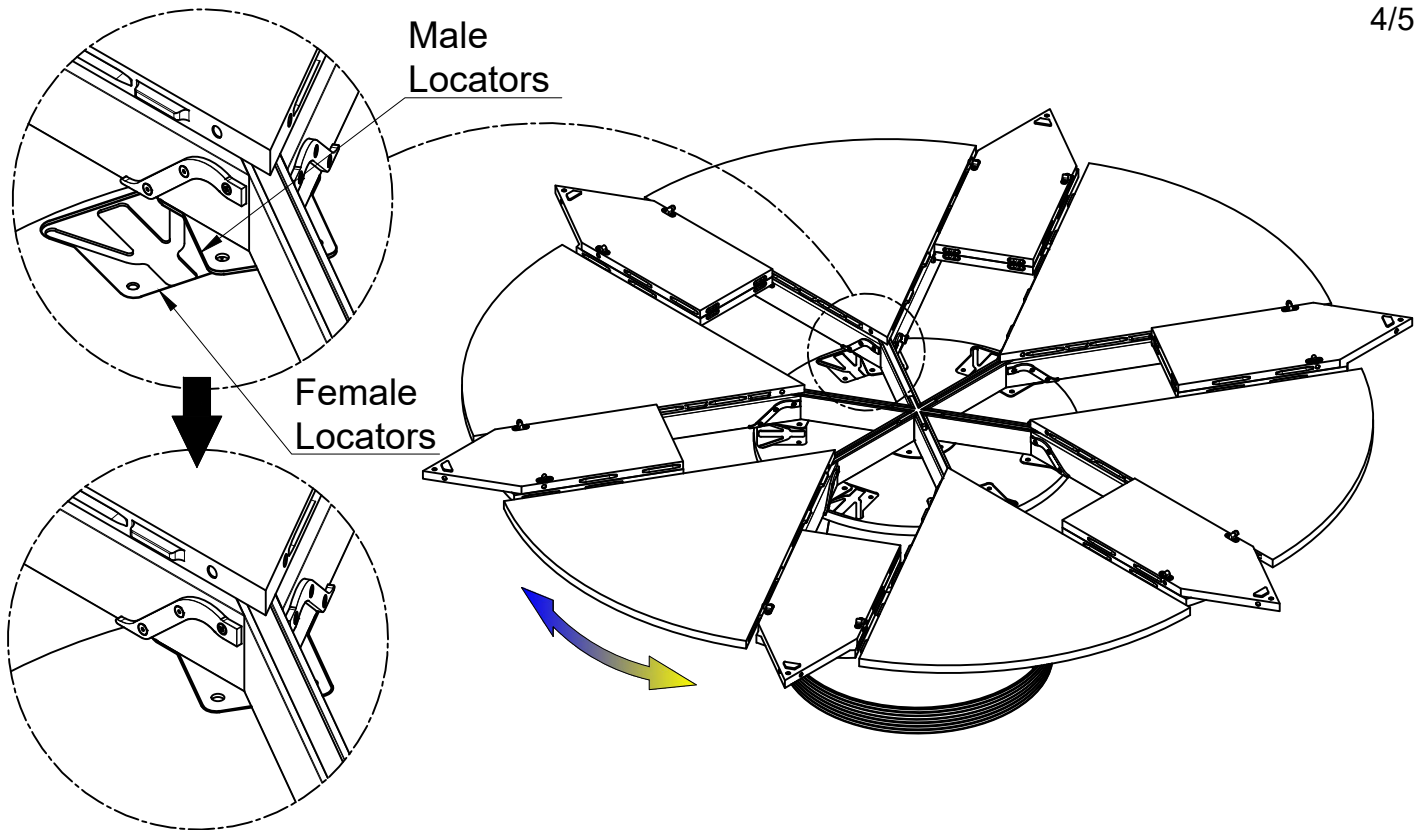
Step 2:

Open all Leaves.

RAWLINS DINING JUPE TABLE

Assembly Instructions
Instructions d'assemblage
Instrucciones de Ensamblaje

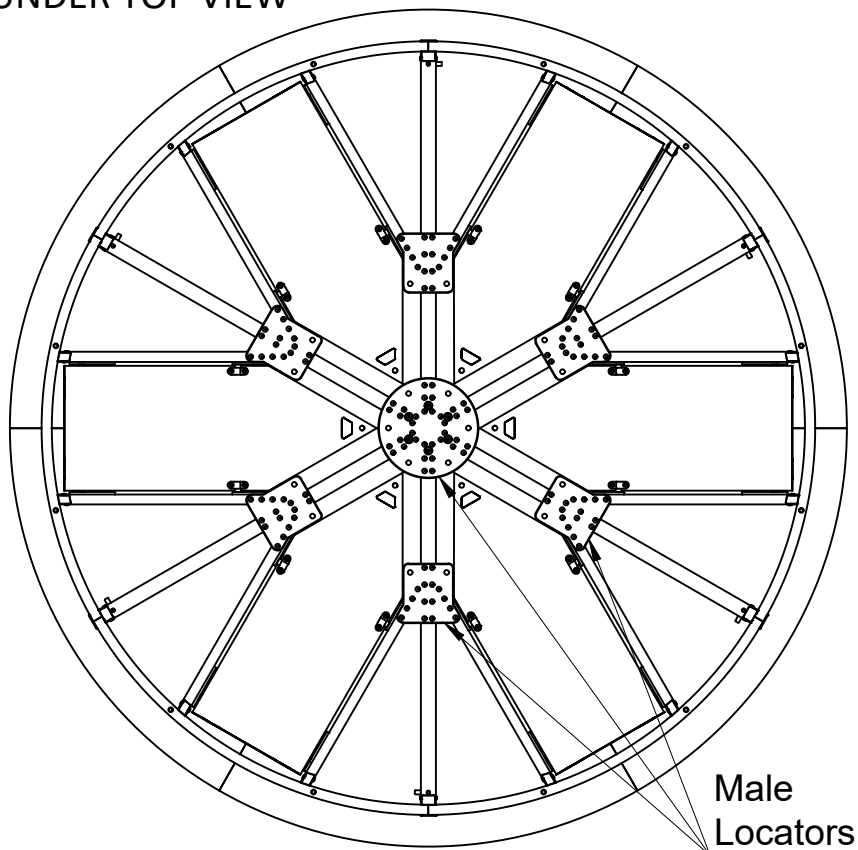
4/5



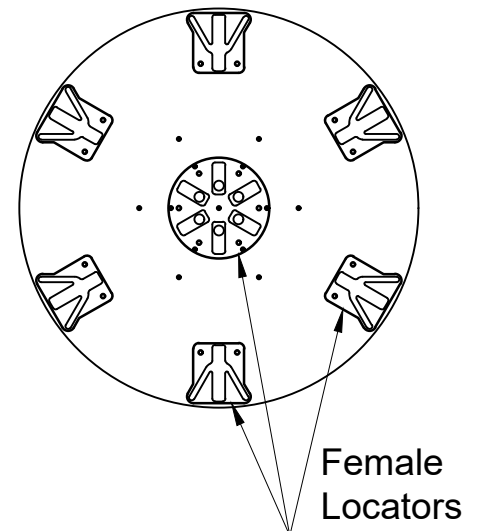
Step 3:

Rotate the TOP to adjust until the Male Locators under the TOP in line with the Female Locators at the top of BASE.

UNDER TOP VIEW



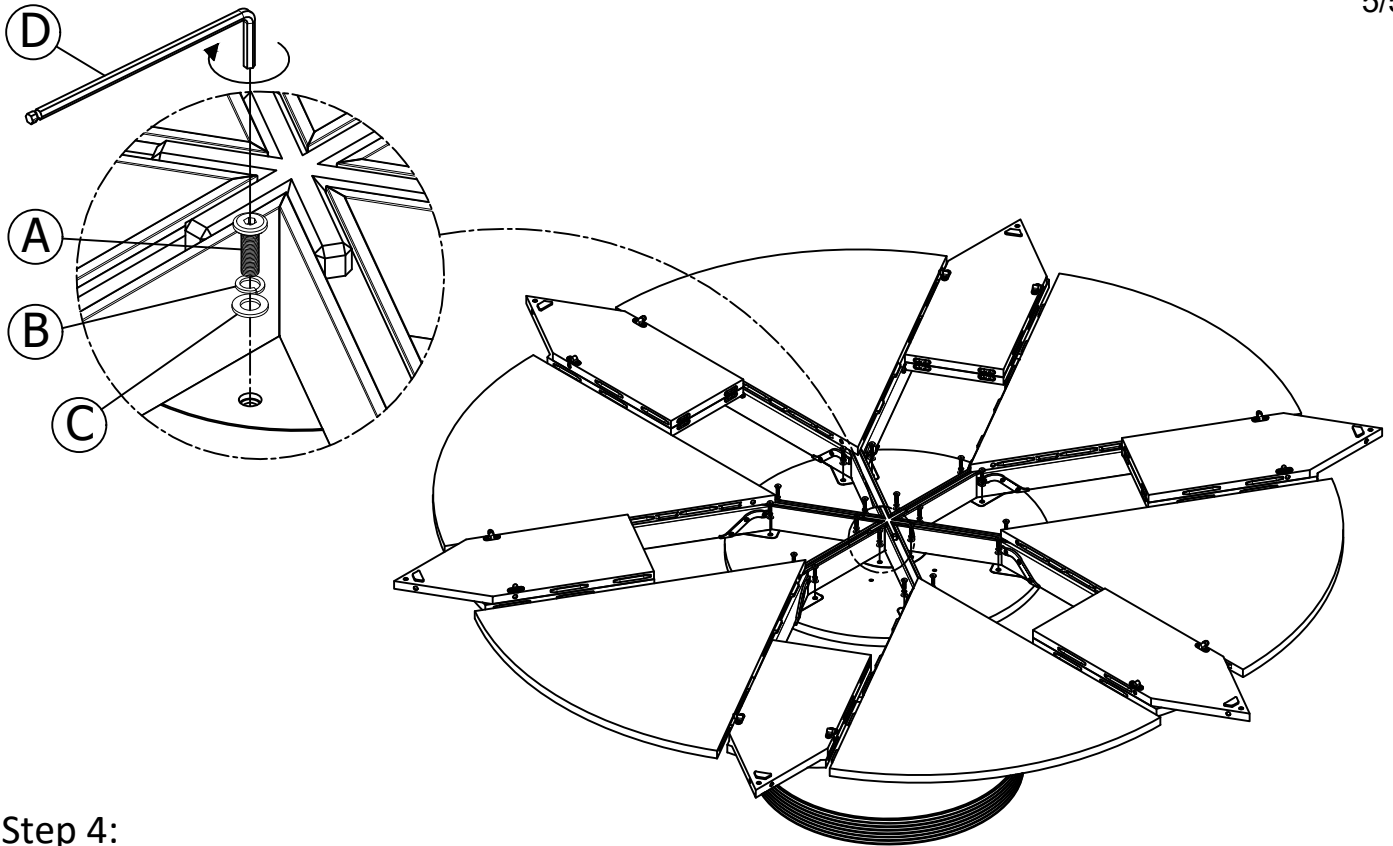
BASE TOP VIEW



RAWLINS DINING JUPE TABLE

Assembly Instructions
Instructions d'assemblage
Instrucciones de Ensamblaje

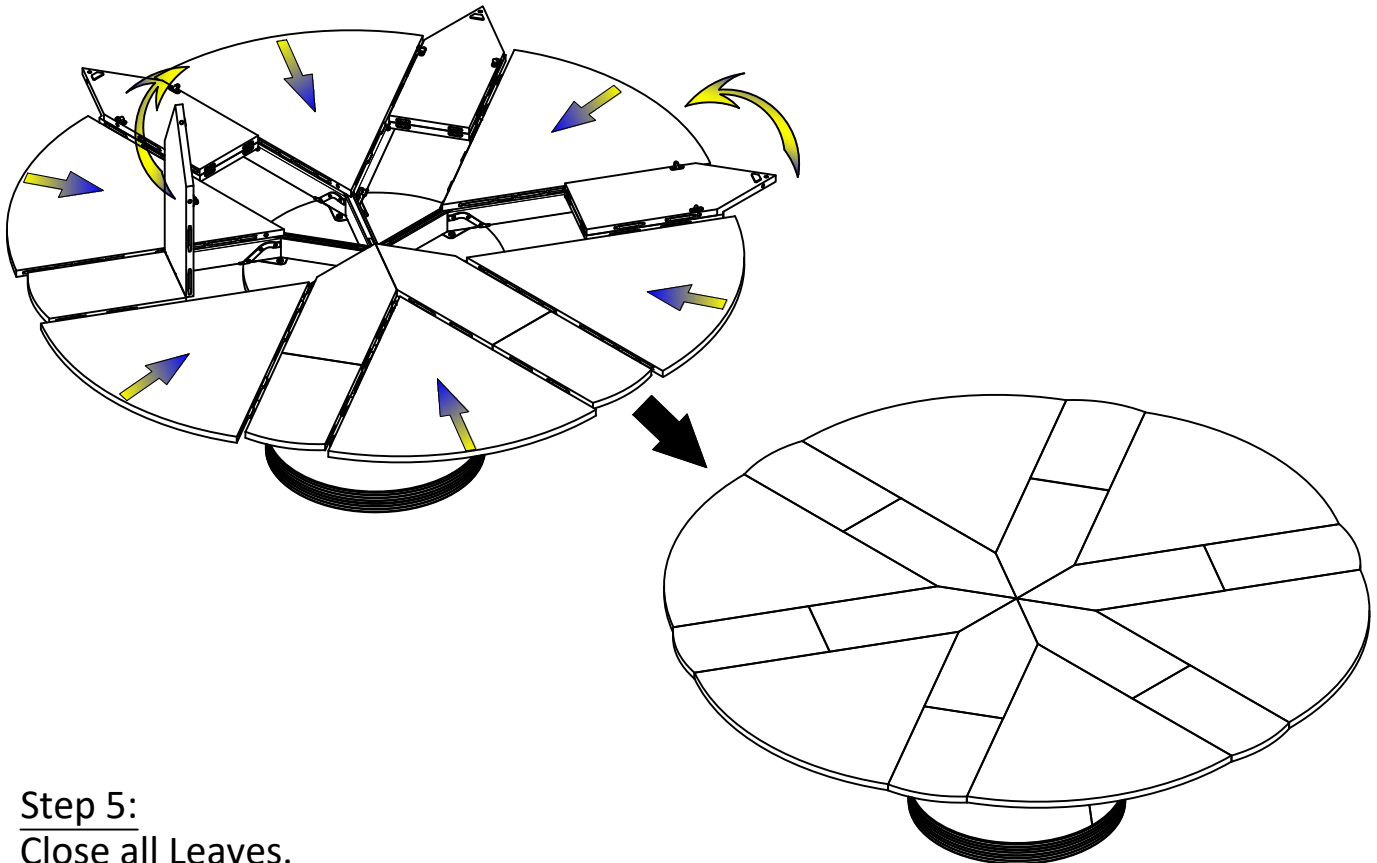
5/5



Step 4:

Tighten firmly all 18 Allen bolts A, 18 Lock washers B and 18 Flat washers C by Allen key D.

Note: Insert Lock washer first followed by Flat washer to Allen bolt.

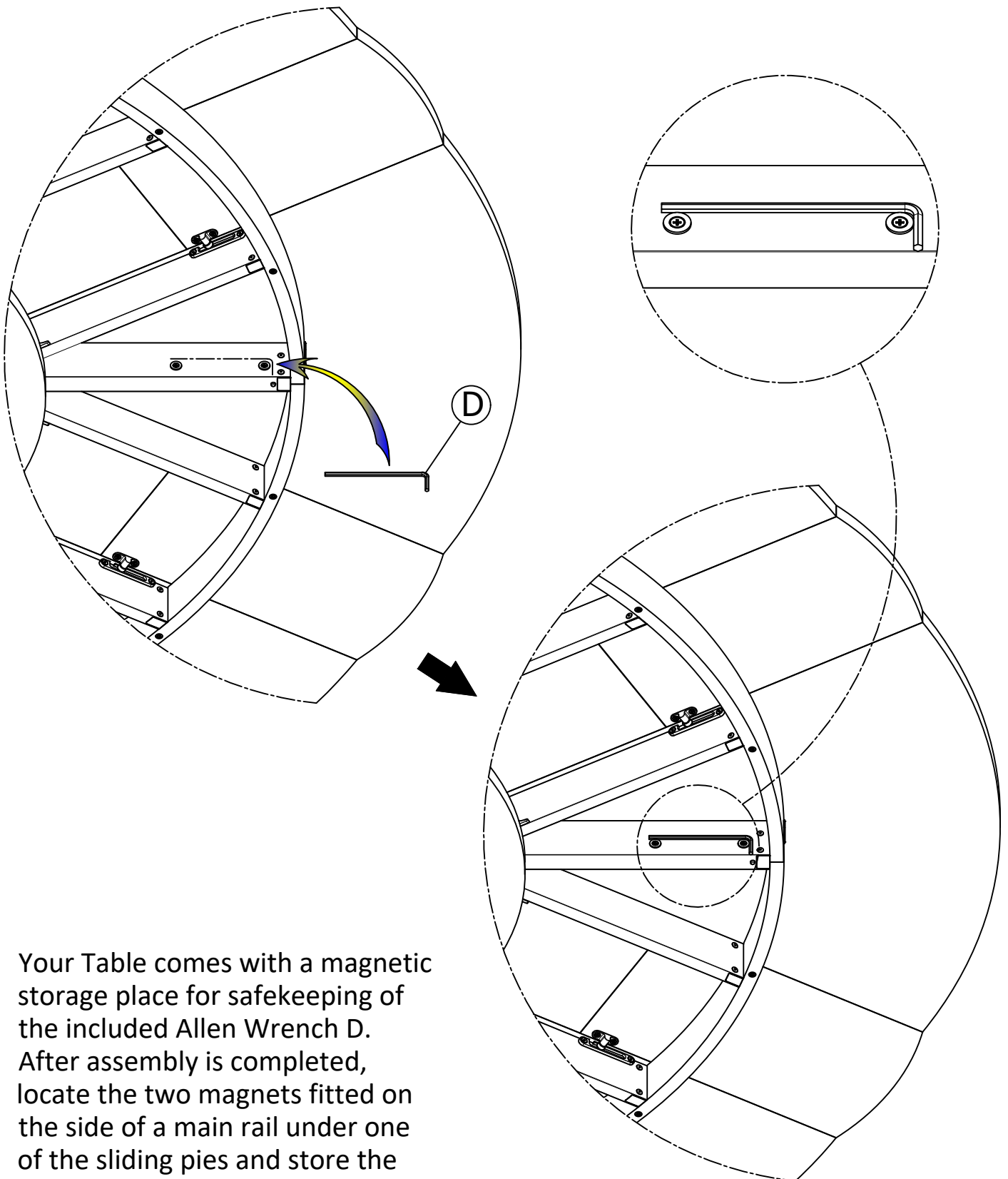


Step 5:

Close all Leaves.

ALLEN KEY STORAGE

Assembly Instructions
Instructions d'assemblage
Instrucciones de Ensamblaje



Your Table comes with a magnetic storage place for safekeeping of the included Allen Wrench D. After assembly is completed, locate the two magnets fitted on the side of a main rail under one of the sliding pies and store the Allen Wrench as per this image viewed from the underside of table top.

Keep the Allen Wrench for future use in case of moving home.