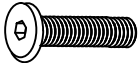


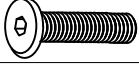

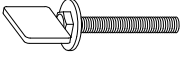
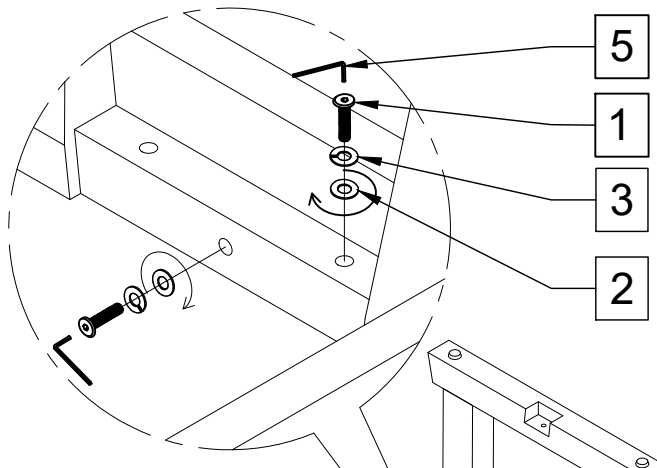


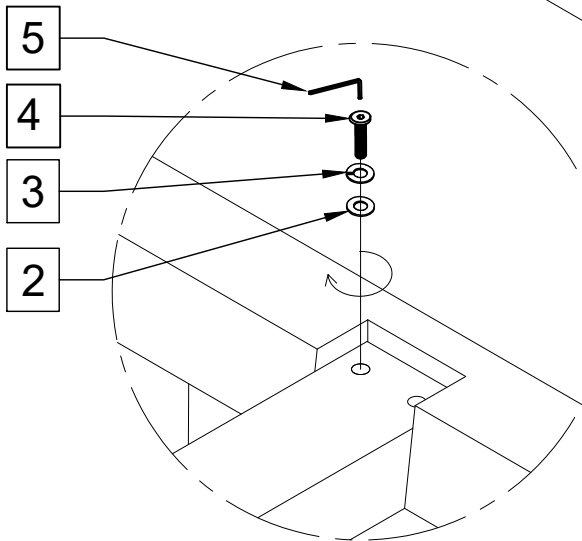
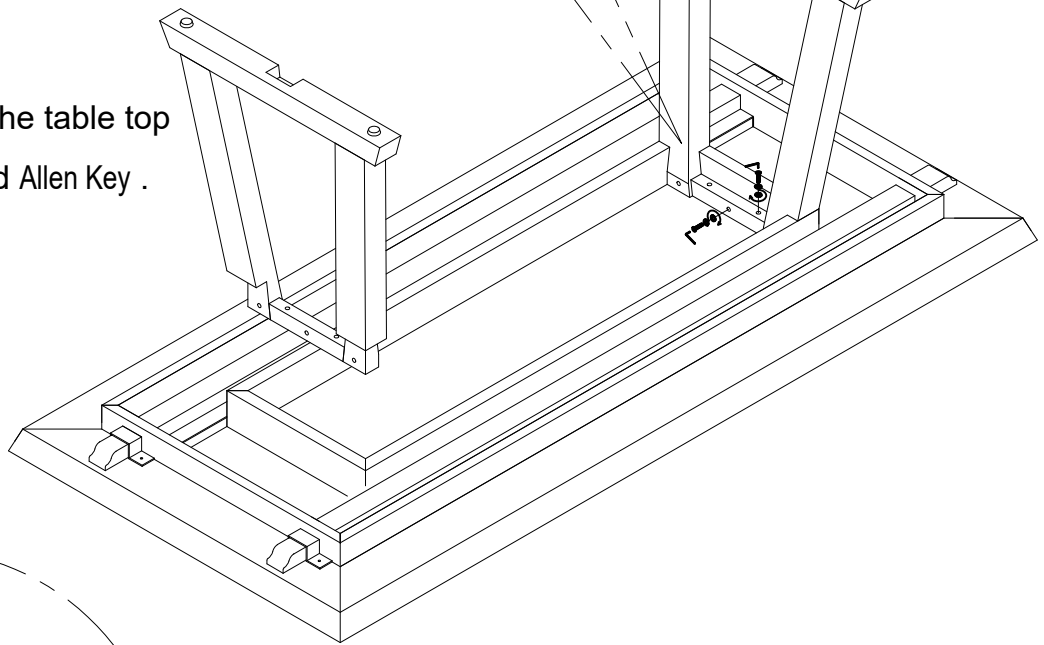
ASSEMBLY INSTRUCTIONS

5096-26 Modern_Dining Table

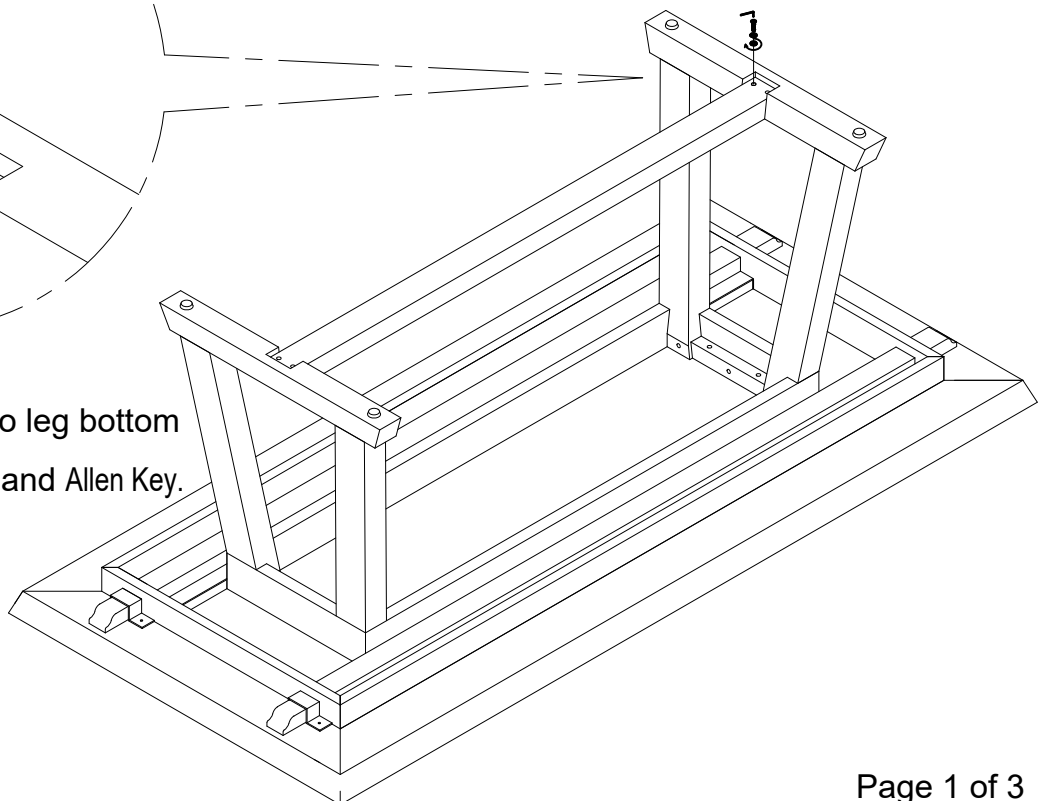
NO.	ITEM	DESCRIPTION	QTY.
1		Bolt M8x55	10 pcs
2		Flat washer Ø8	14 pcs
3		Spring washer Ø8	14 pcs
4		Bolt M8x40	4 pcs
5		Allen Key M4	1 pc
6		Butterfly bolt M6x50	4 pcs



Step 1: Assembly leg frame to the table top using bolts and washers and Allen Key .



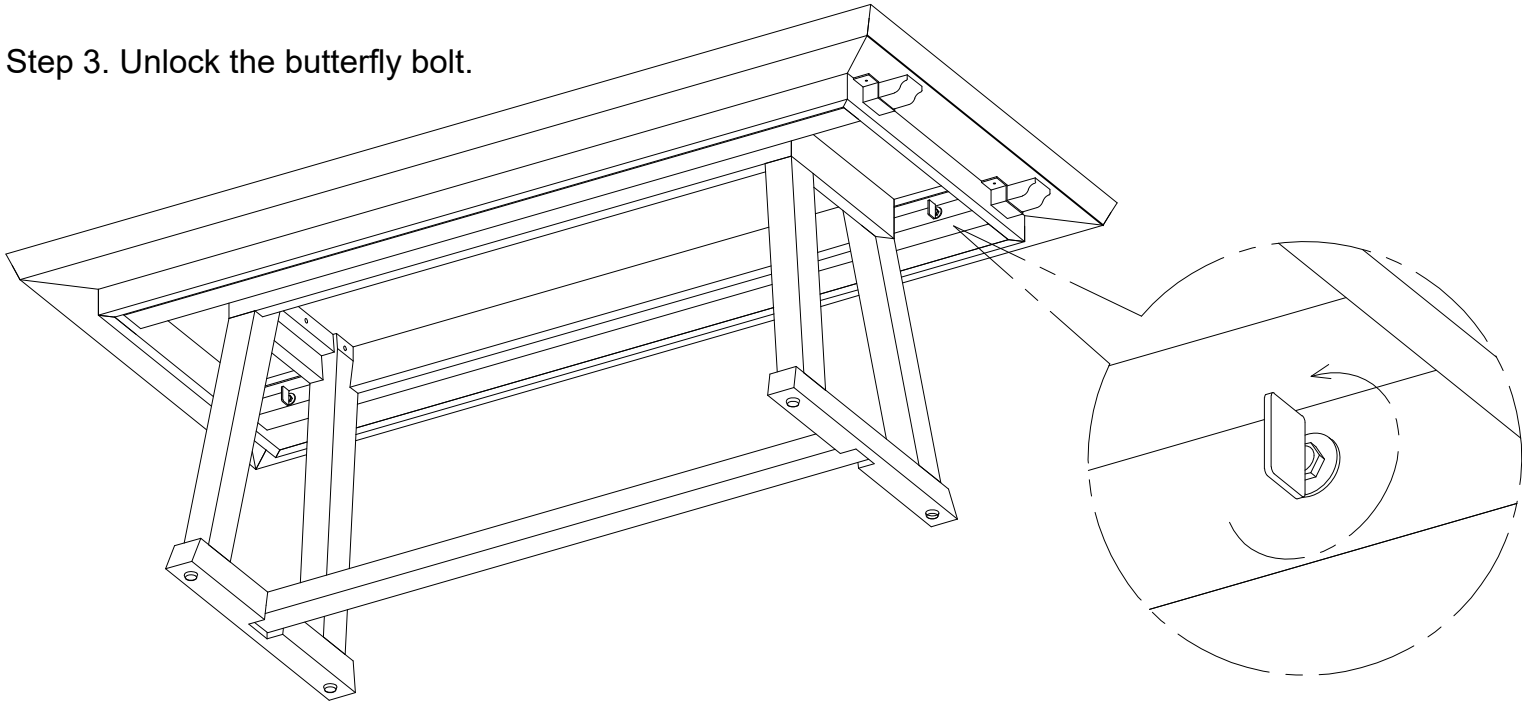
Step 2: Assembly stretcher to leg bottom using bolts and washers and Allen Key.



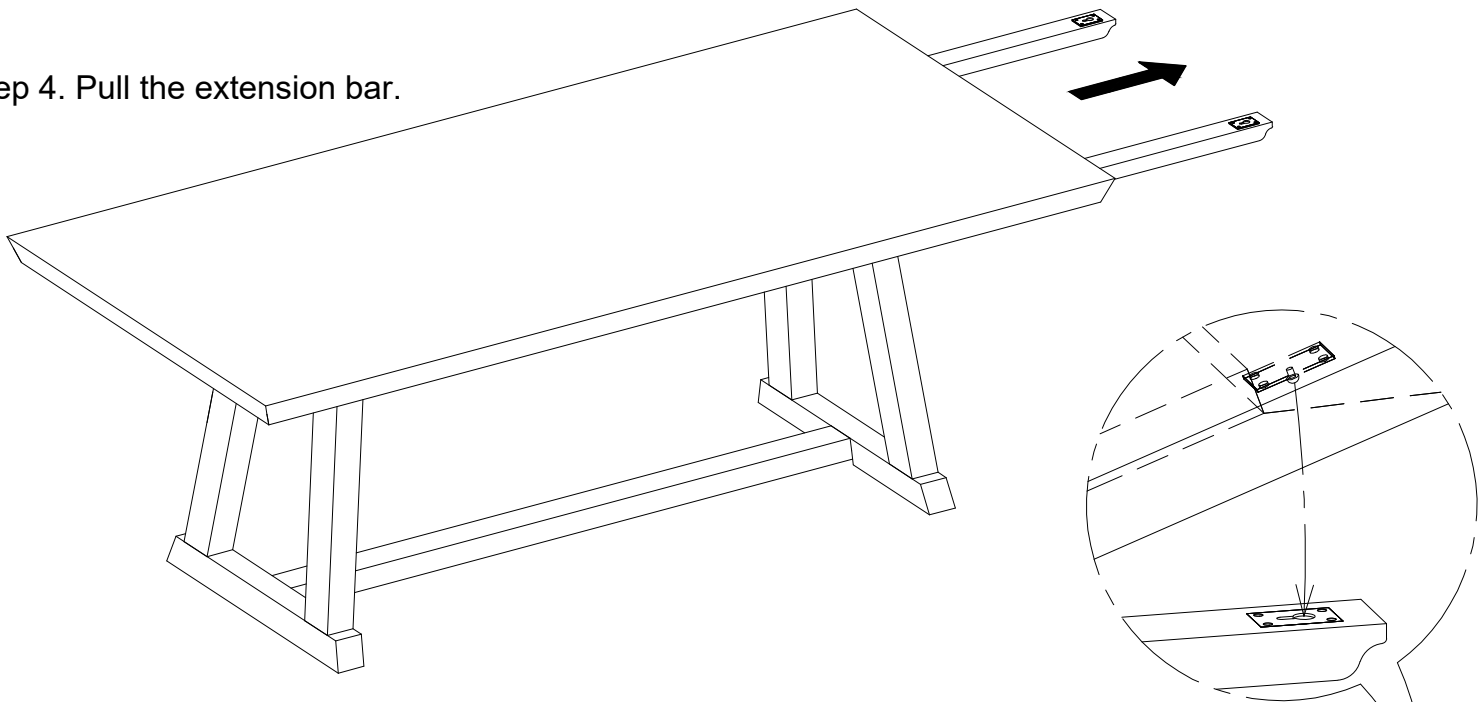
ASSEMBLY INSTRUCTIONS

5096-26 Modern_Dining Table

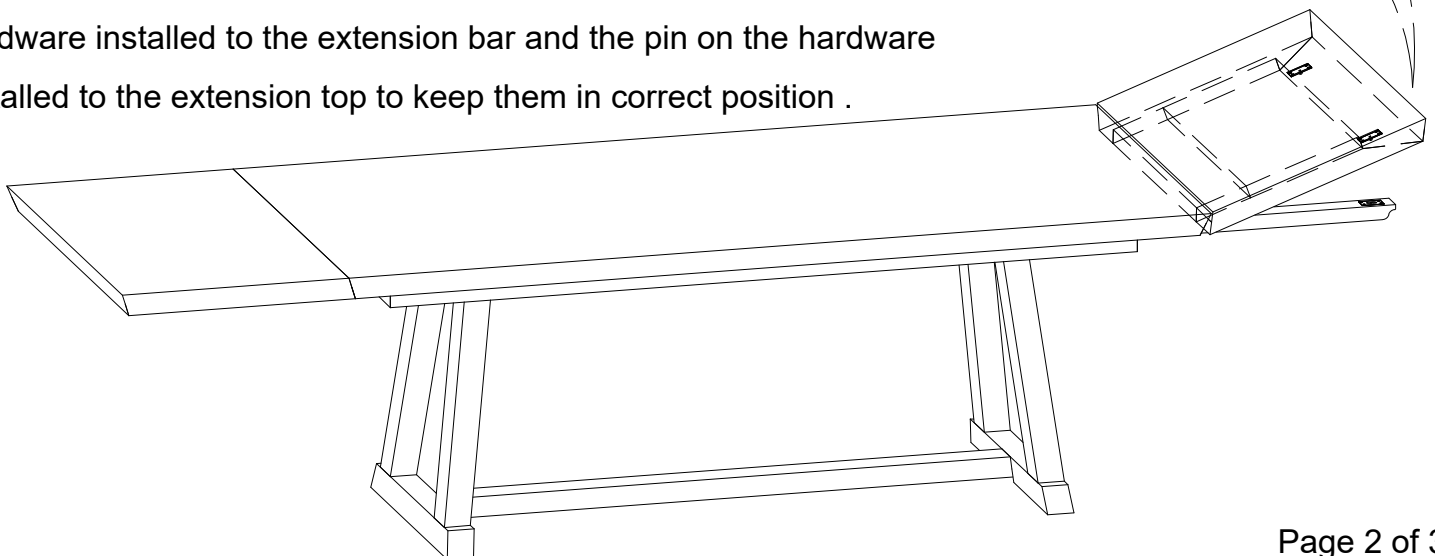
Step 3. Unlock the butterfly bolt.



Step 4. Pull the extension bar.



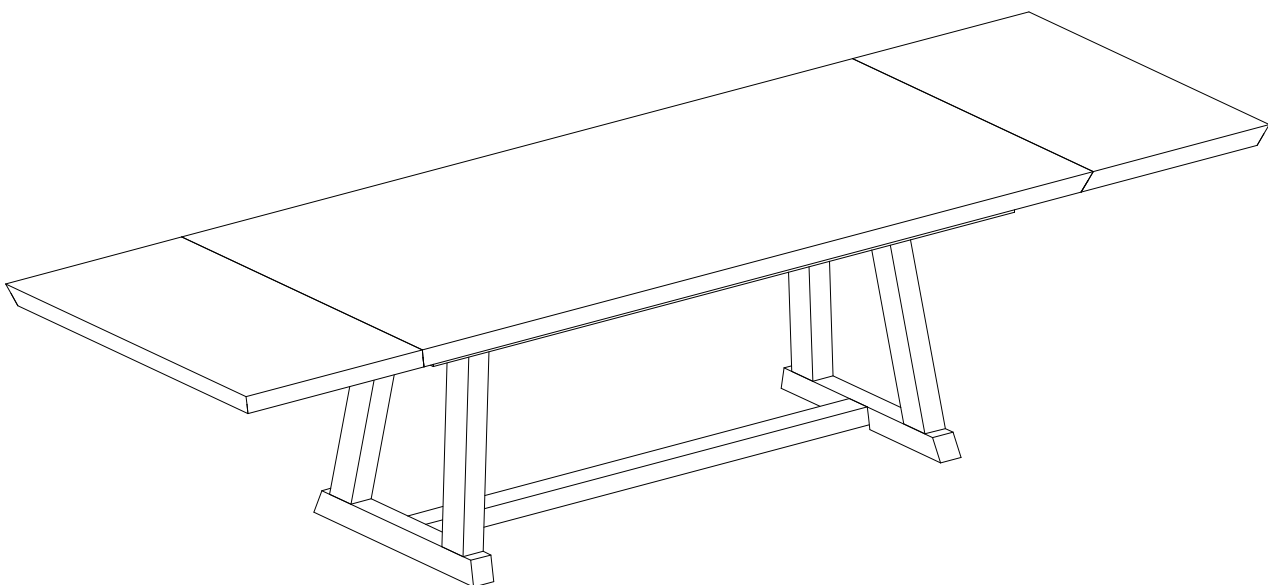
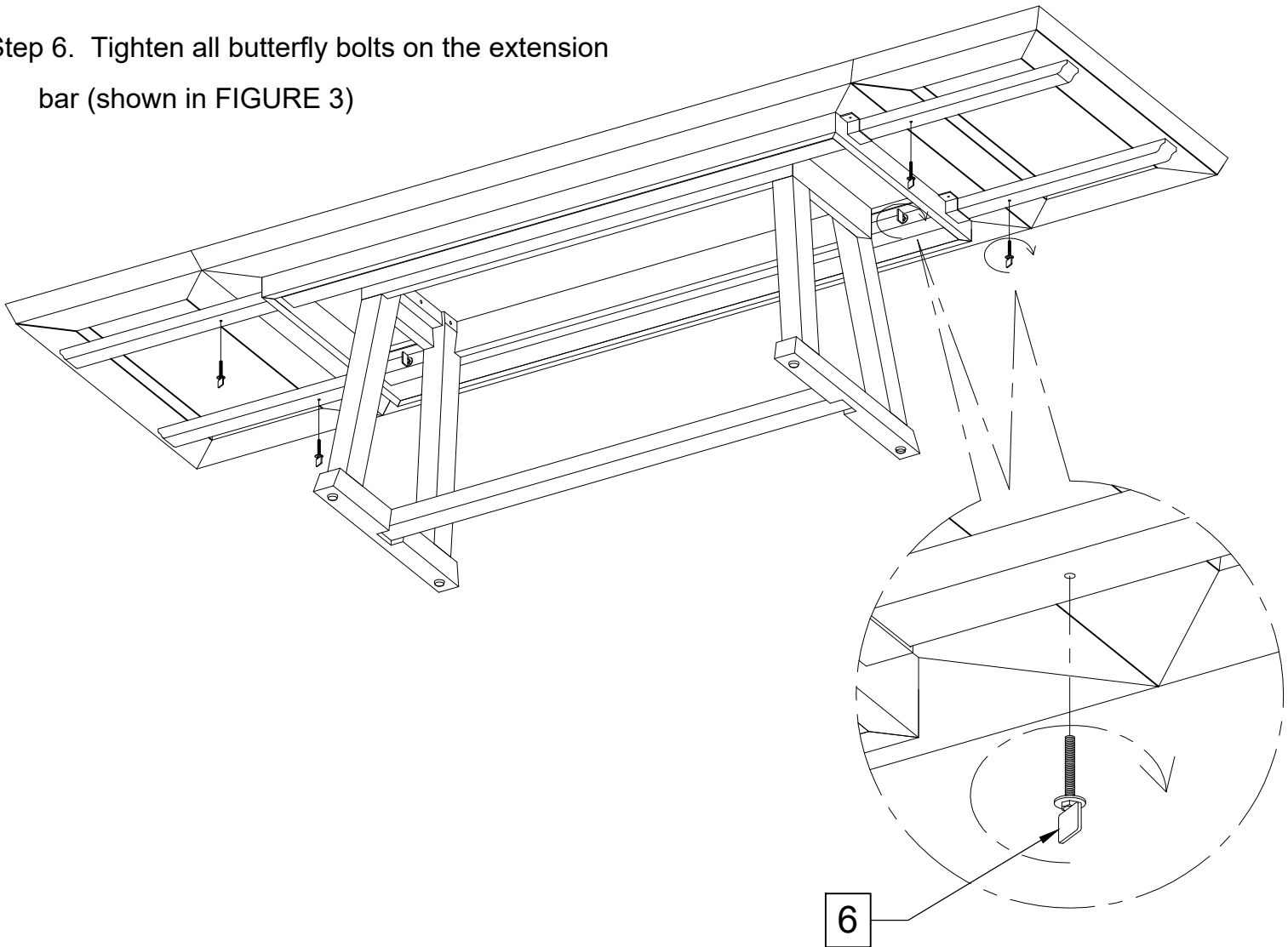
Step 5. Put the extension top onto the extension bar, use the hole on the hardware installed to the extension bar and the pin on the hardware installed to the extension top to keep them in correct position .



ASSEMBLY INSTRUCTIONS

5096-26 Modern_Dining Table

Step 6. Tighten all butterfly bolts on the extension bar (shown in FIGURE 3)



Assembly is complete