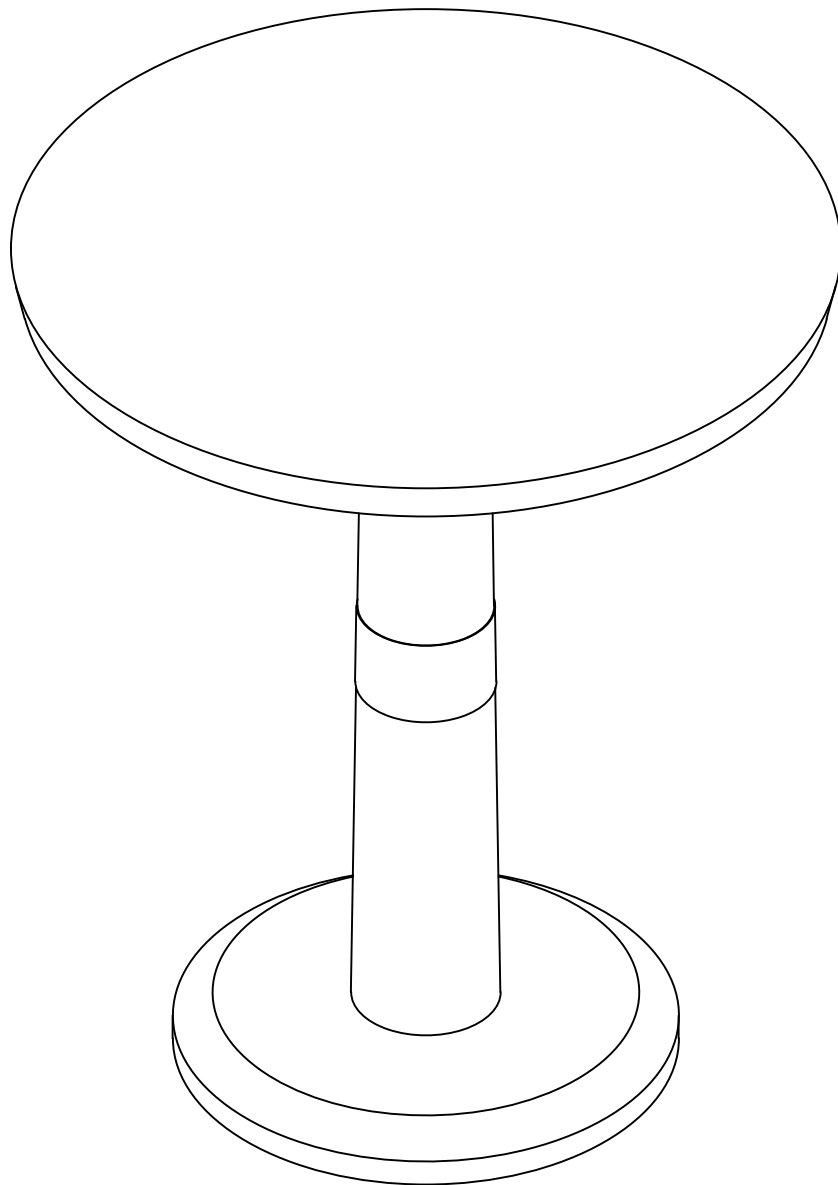

GIMLET PUB TABLE

Assembly Instructions
Instructions d'assemblage
Instrucciones de Ensamblaje

1/4

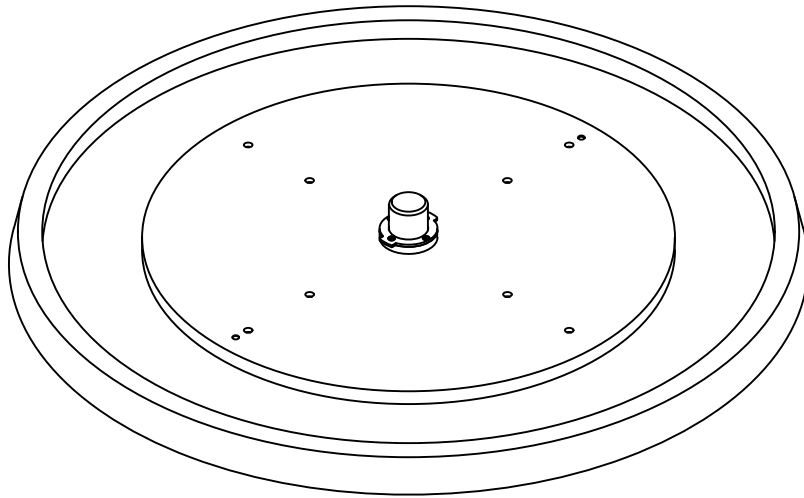


GIMLET PUB TABLE

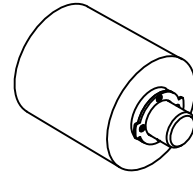
Assembly Instructions
Instructions d'assemblage
Instrucciones de Ensamblaje

2/4

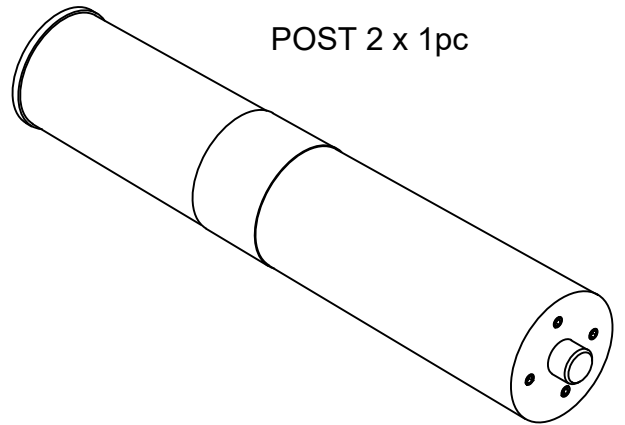
TOP x 1pc



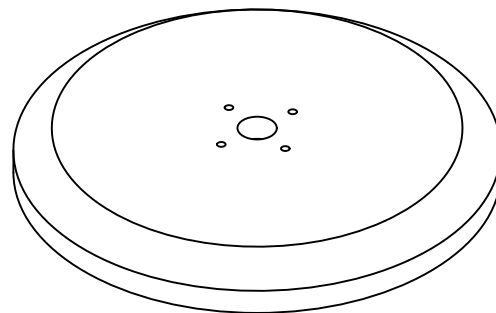
POST 1 x 1pc



POST 2 x 1pc



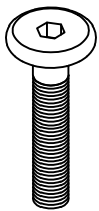
BASE x 1pc



Be sure to check all packaging materials carefully for small parts that may have become loose during shipment and place all parts on a non-abrasive surface.

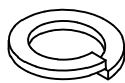
These table parts can be cumbersome and heavy to some people, therefore the assistance of two or more people is recommended in order to prevent personal injury and ensure the table parts are not damaged during the assembly process.

A



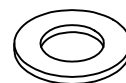
Allen Bolt M8x55
x4 pcs

B



Lock Washer
x4 pcs

C



Flat Washer
x4 pcs

D

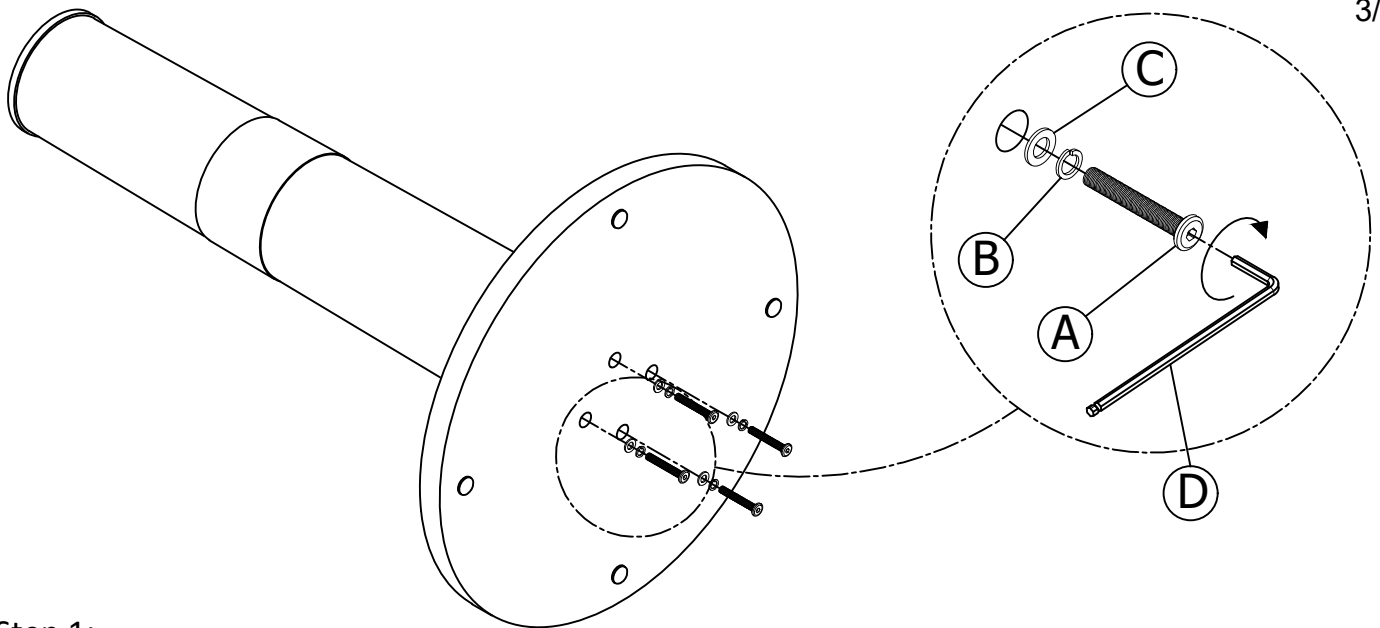


Allen Wrench
x1 pc

GIMLET PUB TABLE

Assembly Instructions
Instructions d'assemblage
Instrucciones de Ensamblaje

3/4



Step 1:

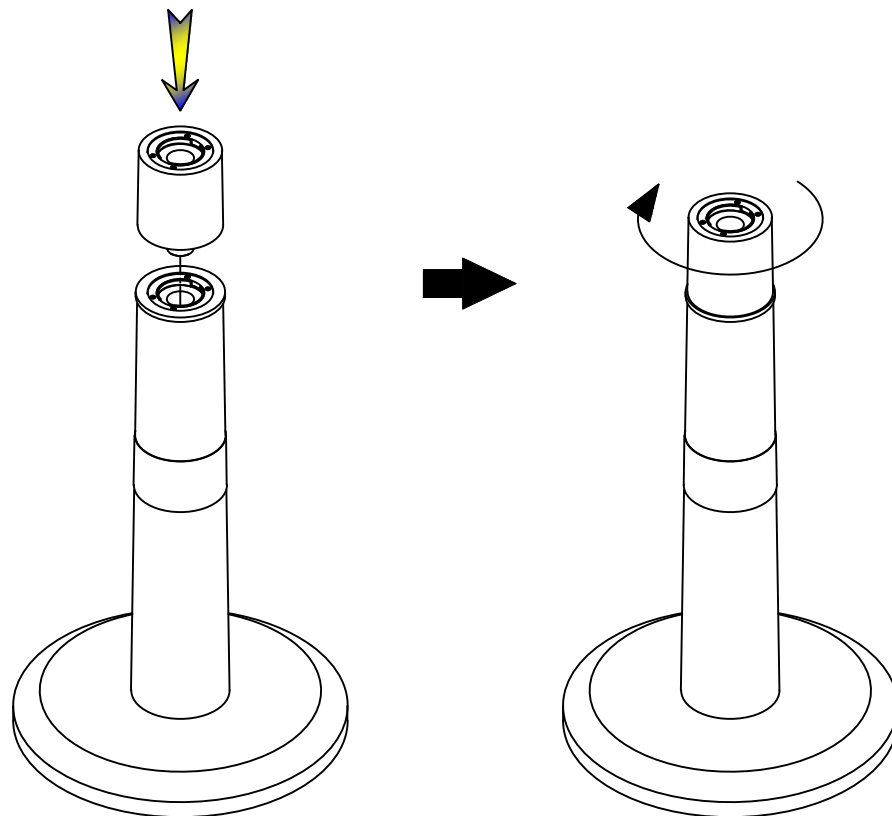
Unpack ALL Parts from box and place them on a flat surface.

Step 2:

Assemble BASE and POST 2.

Tighten firmly all 4 Allen bolts A, 4 Lock washers B and 4 Flat washers C by Allen key D.

Note: Insert Lock washer first followed by Flat washer to Allen bolt.



Step 3:

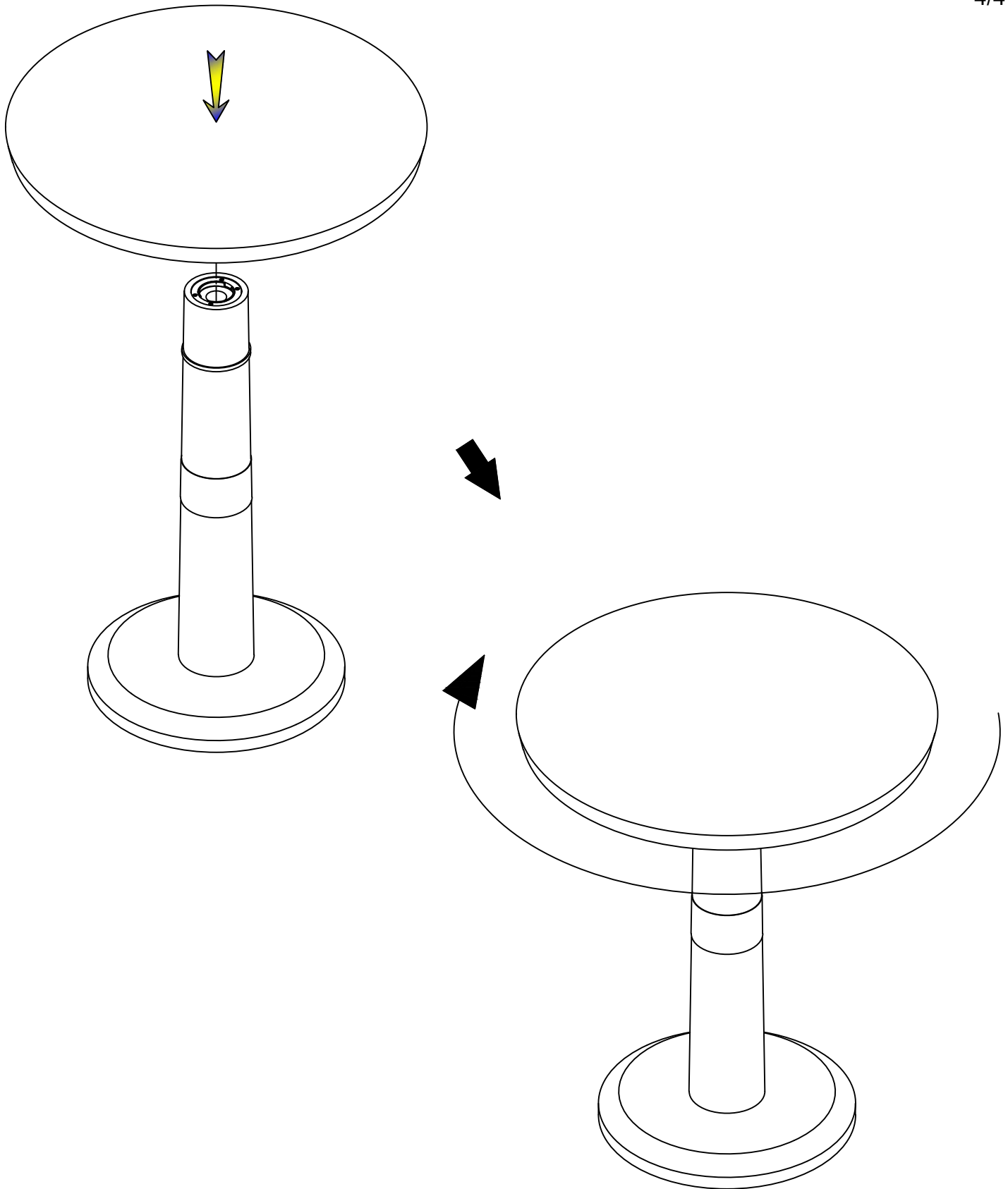
Place POST 1 into POST 2 ensure the Male Locator under the POST 1 in line with the Female Locator at the top of POST 2.

Then rotate POST 1 until lock.

GIMLET PUB TABLE

Assembly Instructions
Instructions d'assemblage
Instrucciones de Ensamblaje

4/4



Step 4:

Place TOP into POST 1 ensure the Male Locator under the TOP in line with the Female Locator at the top of POST 1.
Then rotate TOP until lock.