



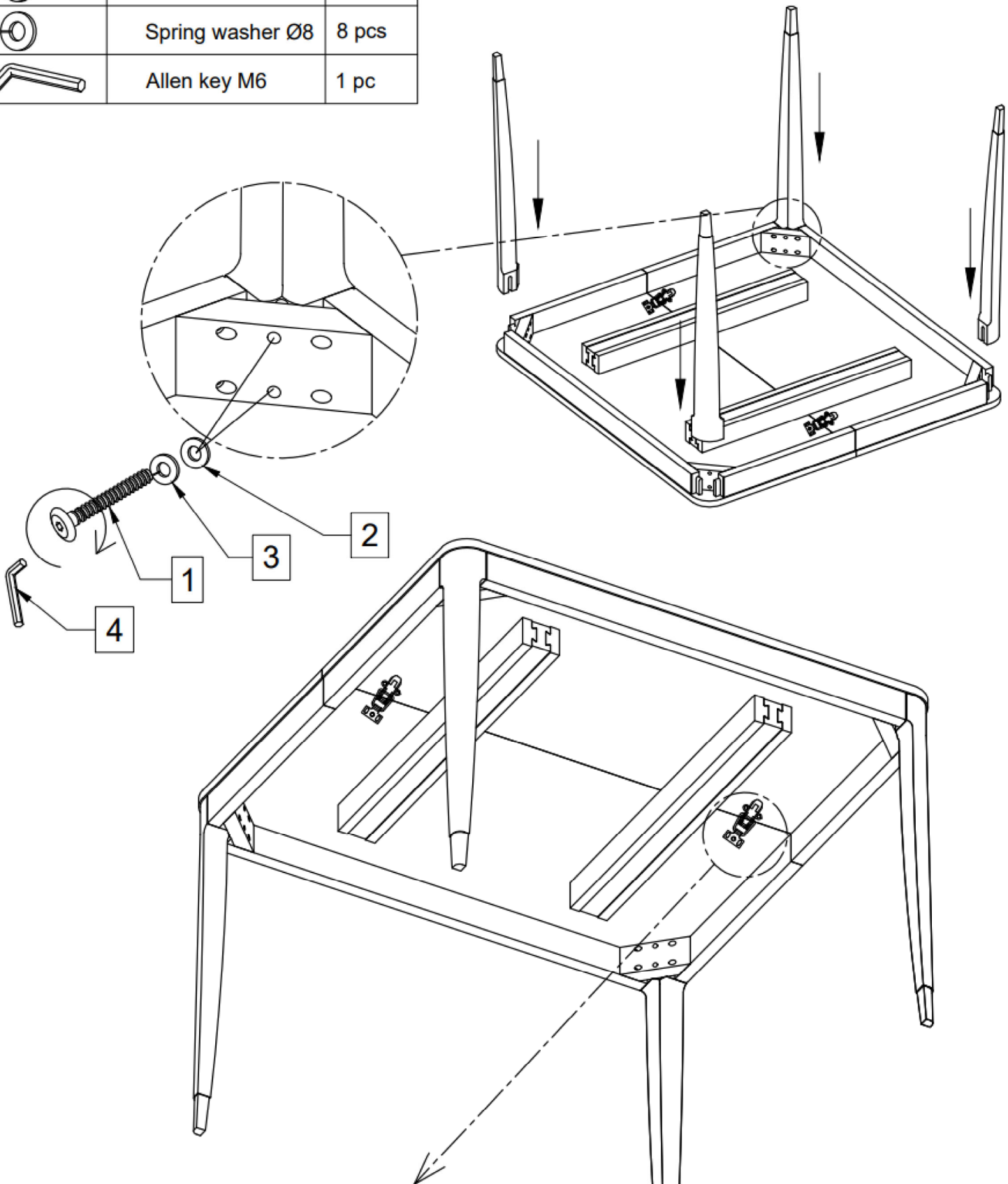


5085-21 Jensen Dining Table

NO.	ITEM	DESCRIPTION	QTY.
1		Bolt M8x55	8 pcs
2		Flat washer Ø8	8 pcs
3		Spring washer Ø8	8 pcs
4		Allen key M6	1 pc

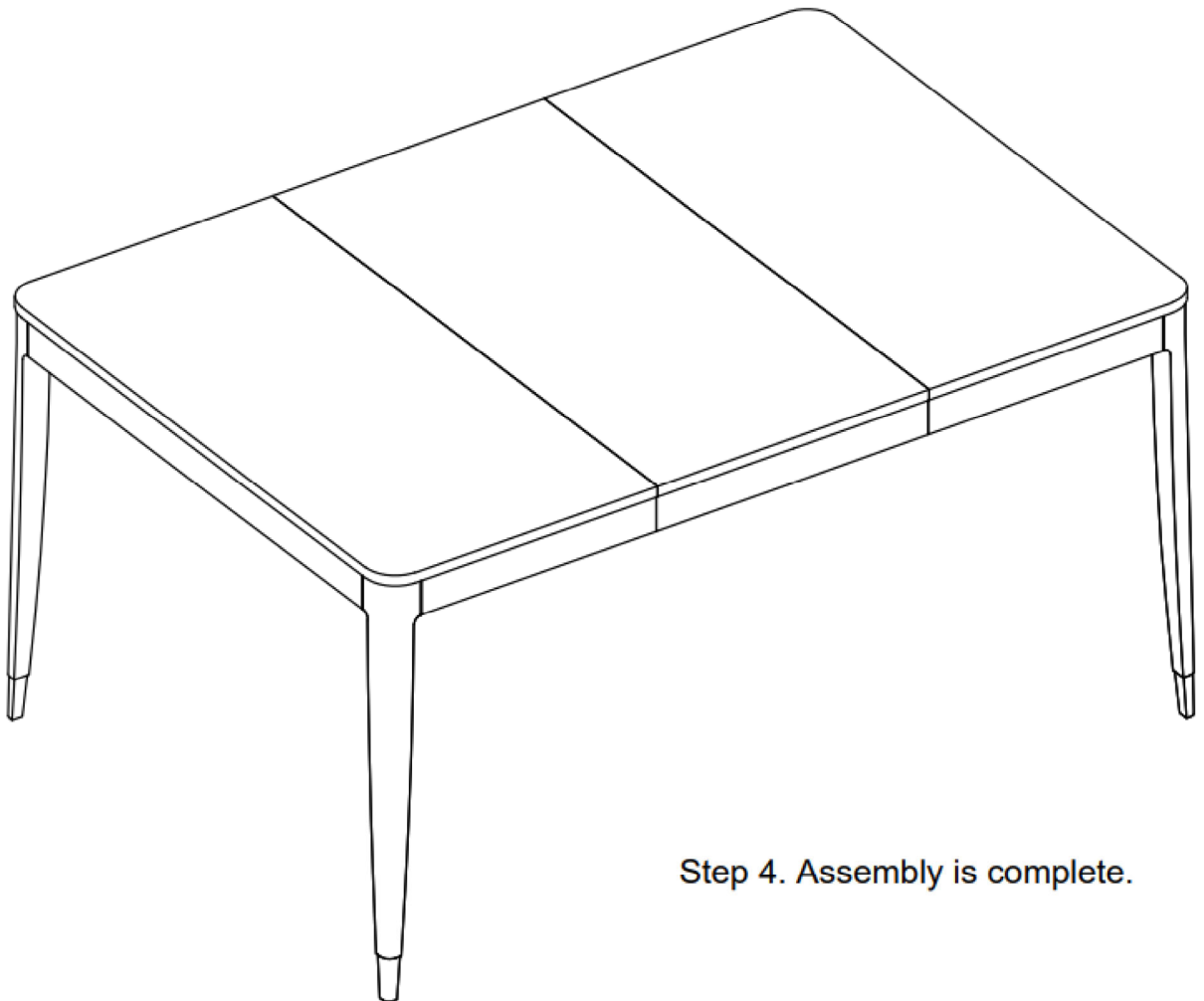
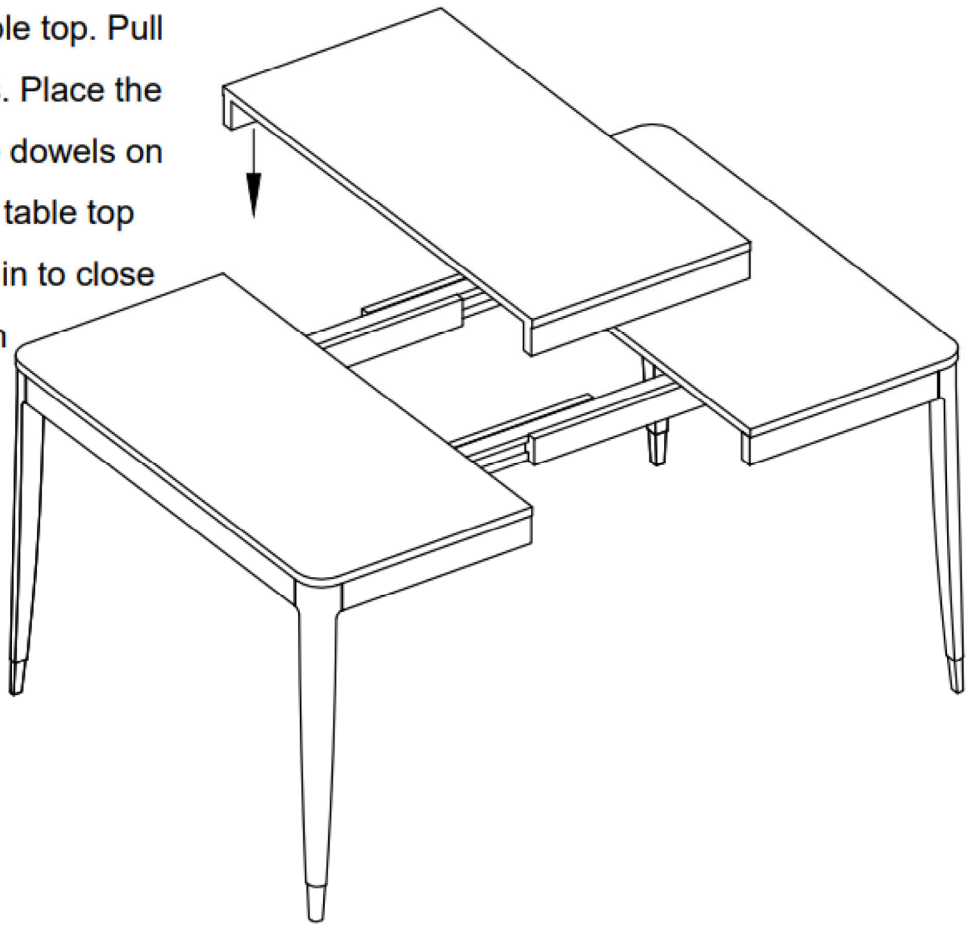
Step 1. Install 4 legs into top by using bolts (1), flat washer (2), spring washers (3) and allen key (4). Fully tightened all bolts



Step 2. Turn the table stand up then lock the key underneath table top

5085-21 Jensen Dining Table

Step 3. Unlock the key underneath table top. Pull out table top and leg to both sides. Place the center leaf (C) into center with the dowels on leaf aligned with pre-drill holes on table top then push 2 sides of the table top in to close with leaf. Lock the key underneath



Step 4. Assembly is complete.