


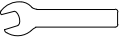
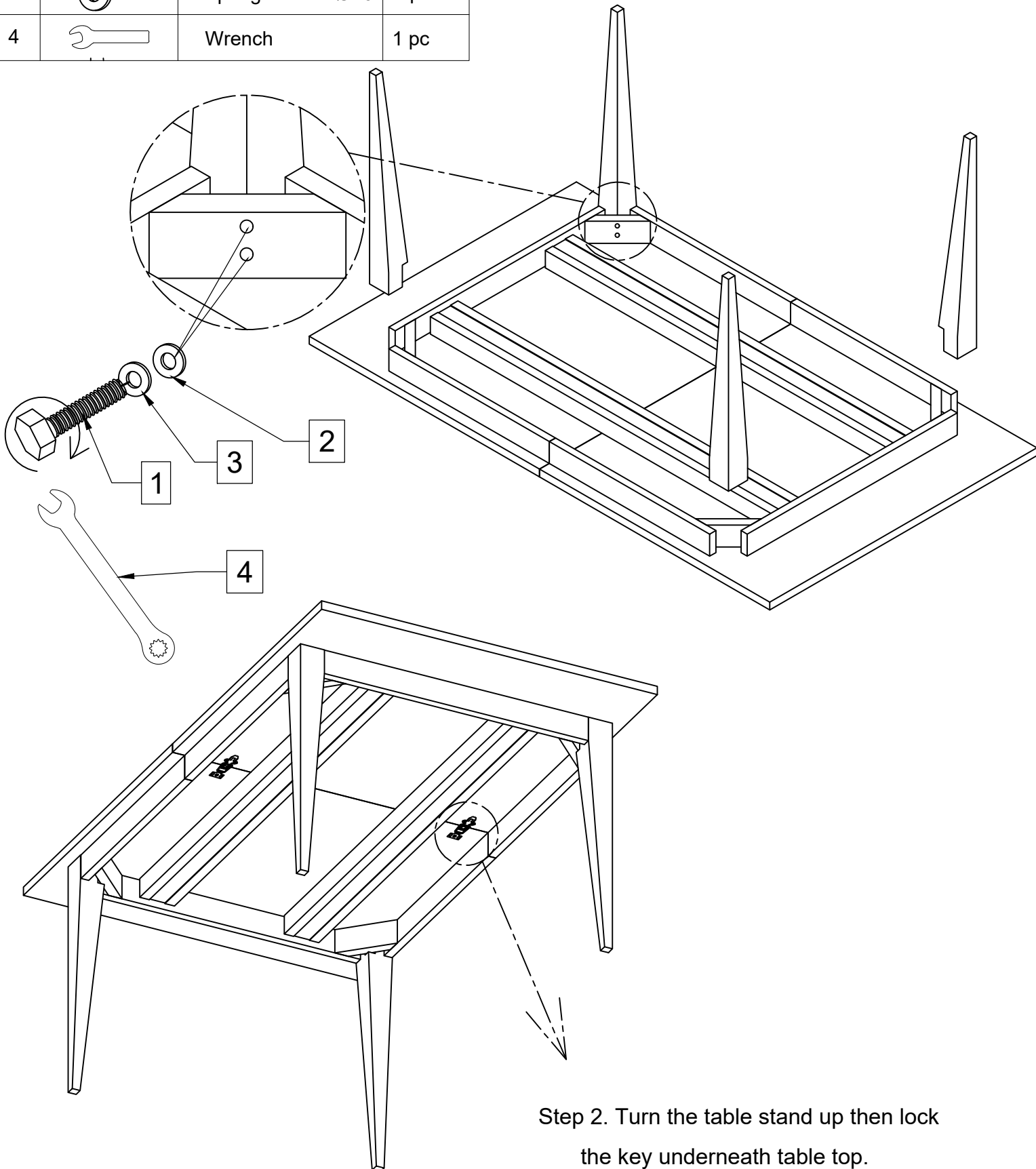


ASSEMBLY INSTRUCTIONS

5066 - Sonoma Farm Table

| NO. | ITEM | DESCRIPTION | QTY. |
|-----|---|-------------------|-------|
| 1 |  | Bolt M10x60 | 8 pcs |
| 2 |  | Flat washer Ø10 | 8 pcs |
| 3 |  | Spring washer Ø10 | 8 pcs |
| 4 |  | Wrench | 1 pc |

Step 1. Install 5 legs into top by using Bolt (1), flat washer (2), spring washers (3) and Wrench (not included) (4). Fully tightened all bolts

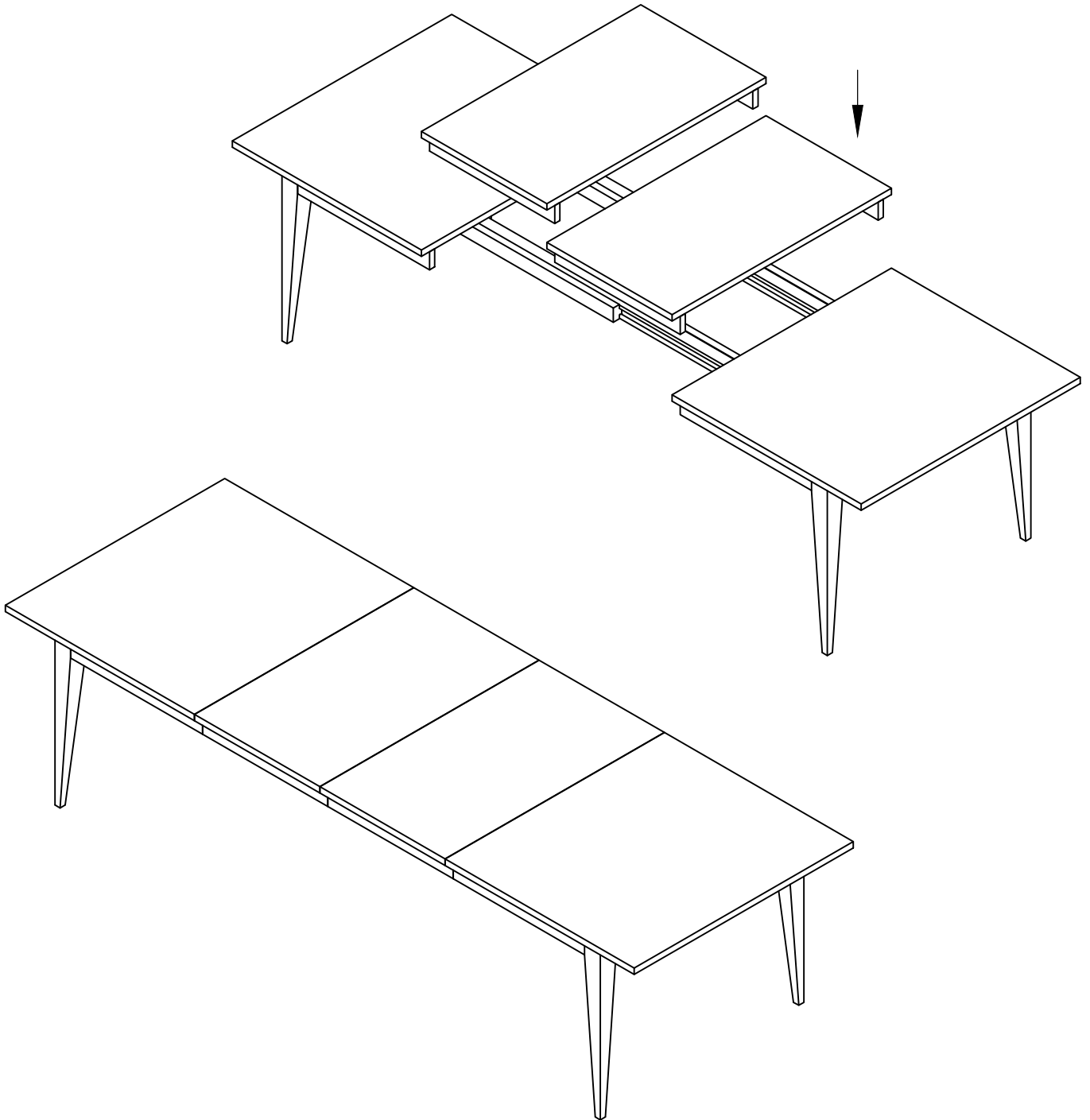


Step 2. Turn the table stand up then lock the key underneath table top.

ASSEMBLY INSTRUCTIONS

5066 - Sonoma Farm Table

Step 3. Unlock the key underneath table top. Pull out table top and leg to both sides. Place the center leaf (C) into center with the dowels on leaf aligned with pre-drill holes on table top then push 2 sides of the table top in to close with leaf. Lock the key underneath



Step 4. Assembly is complete.