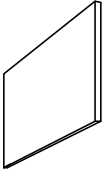

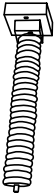
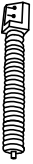








ASSEMBLY INSTRUCTIONS

<p>2 pcs</p> 	<p>1 pcs</p> 	
<p>2 pcs</p> 	<p>4 pcs</p> 	
<p>2 pcs</p> 		
ITEM	LIST OF HARDWARE	QTY
1	 Washer 8x19x1mm	12
2	 Wave Washer 8x8x2mm	12
3	 Bolt 8x50 mm	12
4	 Bolt 8x70 mm	6
5	 Hex key 4x100 mm	1

