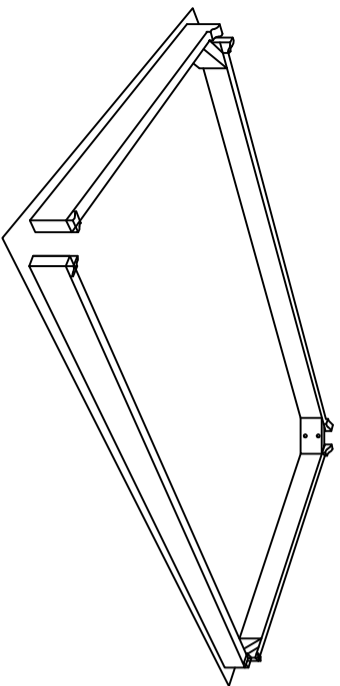
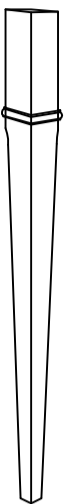


# ASSEMBLY INSTRUCTIONS



I

1 pcs



II

4 pcs

ITEM	LIST OF HARDWARE	QTY
1	 Washer 8x19x1mm	8
2	 Wave Washer 8x8 x2mm	8
3	 Bolt 8x55 mm	8
4	 Hex key 4x58	1

