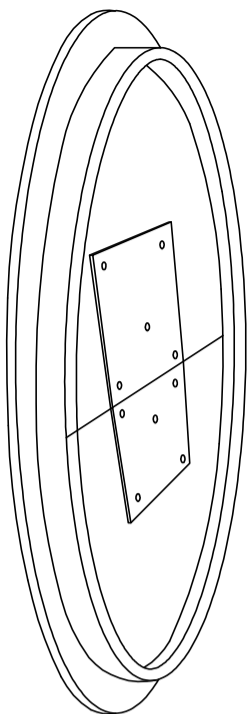


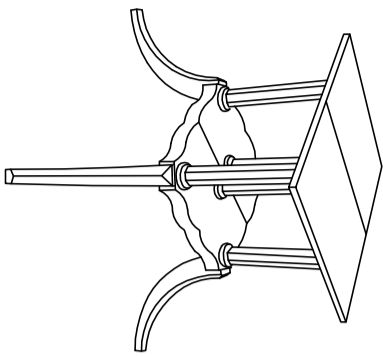
ASSEMBLY INSTRUCTIONS

I




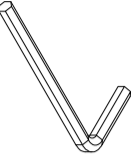


1 pcs

II



1 pcs

| ITEM | LIST OF HARDWARE | QTY |
|------|---|-----|
| 1 |  <p>Washer 8x19x1mm</p> | 10 |
| 2 |  <p>Wave Washer 8x8 x2mm</p> | 10 |
| 3 |  <p>Hex Bolt 8x30 mm</p> | 10 |
| 4 |  <p>Hex Key 4x58</p> | 1 |

