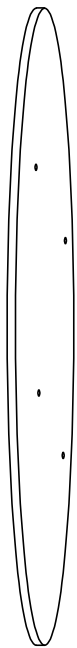
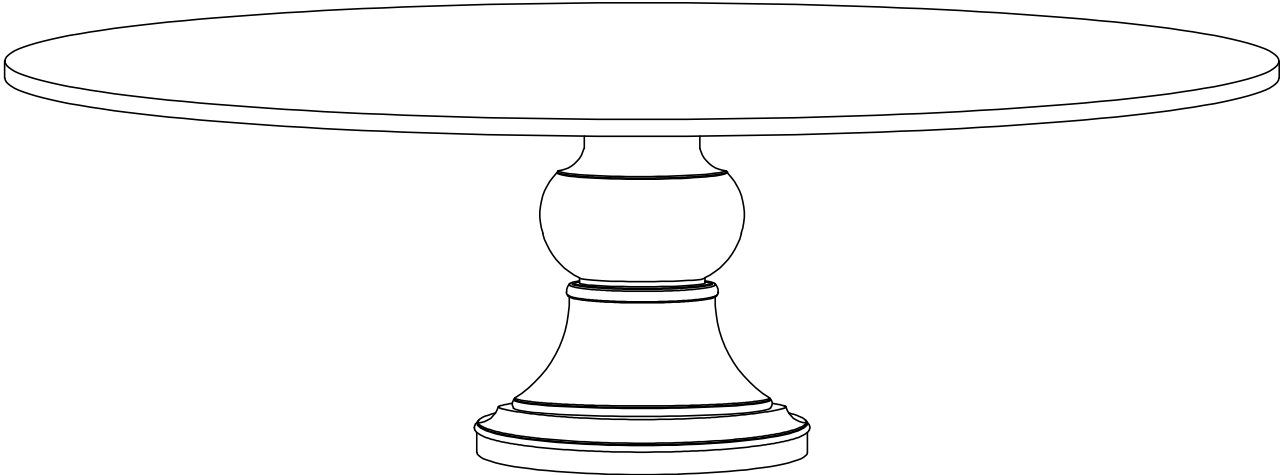
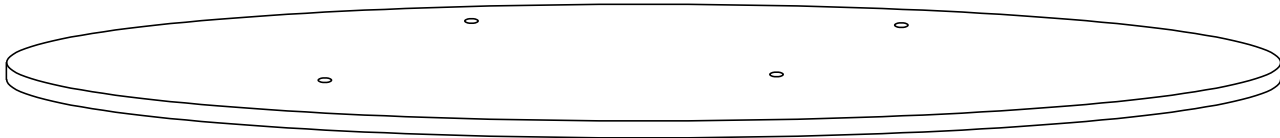
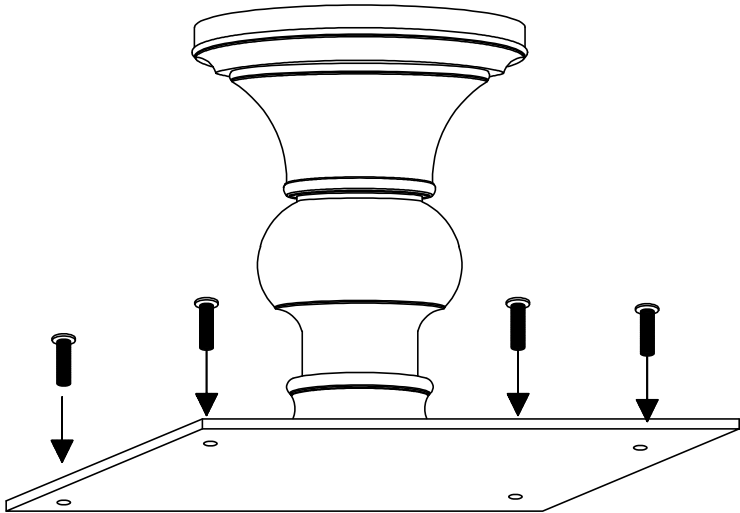



ASSEMBLY INSTRUCTIONS

I



1 pcs



ITEM	LIST OF HARDWARE	QTY
1	 <p>Bolt 8x35 mm</p>	4
2		
3		
4		